

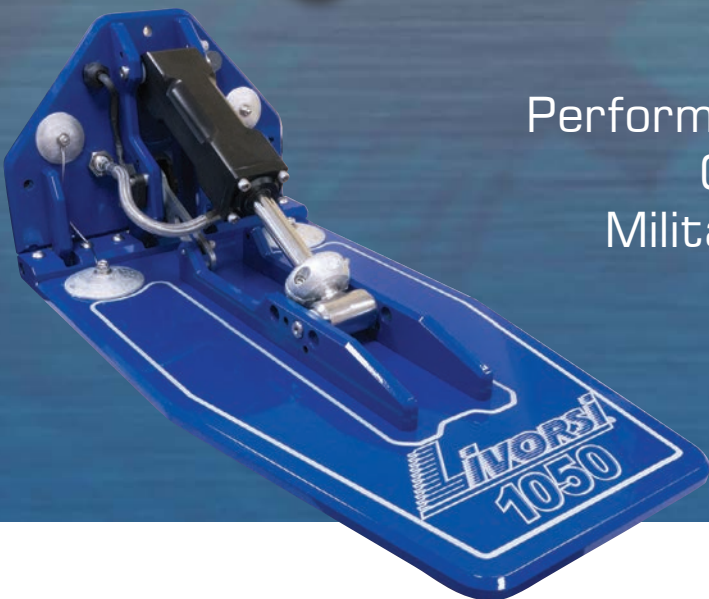
Hydraulic Billet Trim Tabs

LED LIGHTS

now on Trim Tabs
*see inside

Electronic or Mechanical Trim Indication

Private label and powder coat finish available



Performance Boats • Center Consoles
Cruisers • Work Boats
Military and Government Boats

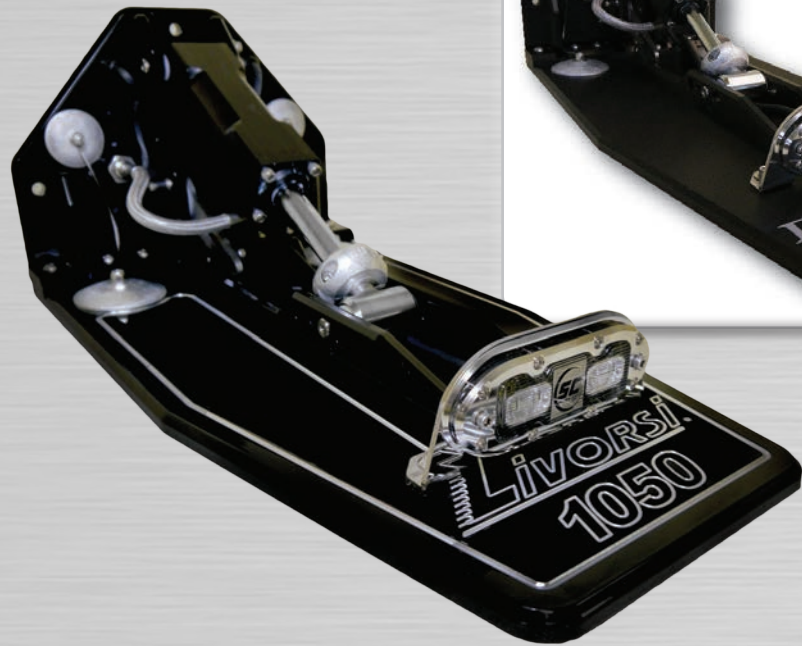
LIVORSI
CompX Marine Inc. • livorsi.com

847-752-2700
sales@livorsi.com
www.livorsi.com

Livorsi Billet Trim Tabs with Hydraulic Cylinders

Now available with:

- LED Underwater Lights
- Powder coat finish
- Custom logos



Mounting the LED underwater light directly on the trim tab makes installation of underwater lighting much easier.

Wiring is routed through the tab transom plate for a clean installation.

Electronic IP68 sensor plugs directly to Livorsi's LED Position Indicator

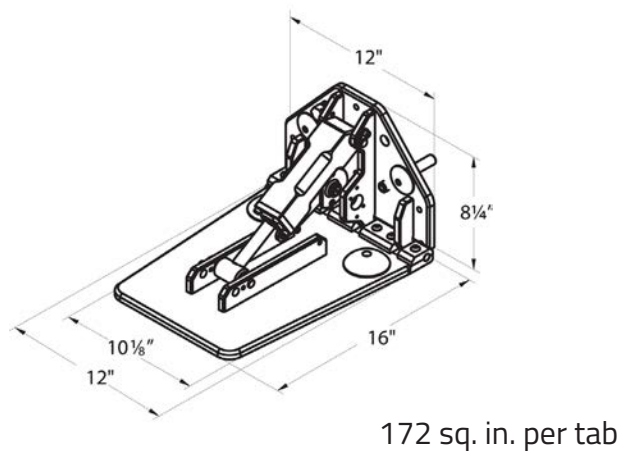
Compatible with NMEA 2000® compliant systems or Mercury VesselView®



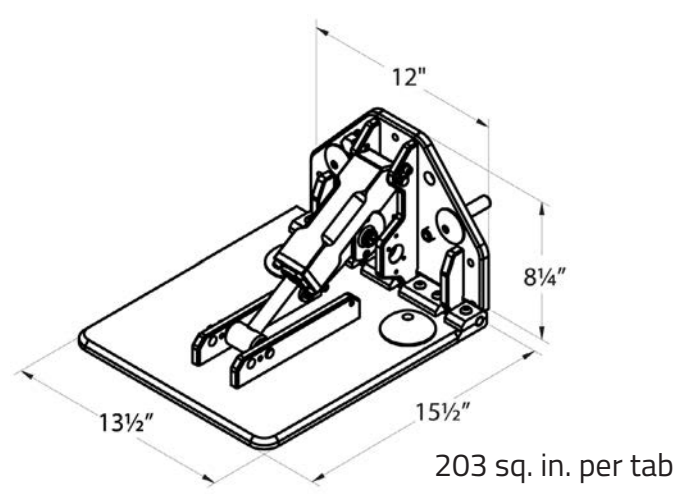
Features

- Available in 11 powder coat colors
- Available with private labeling
- Available with 4" or 6" LED lights in white, blue, red, or green.
- Models are available for performance boats, center consoles, run-abouts, cruisers, workboats and military boats
- Stepped hull design available in the 1050 and 1150 Trim Tab (See Stepped Trim Tab Flyer).
- For use on boats 20 – 50 feet
- Tabs are CNC machined from billet aluminum, no casting
- Tabs are Mil-Spec hard coat anodized to prevent corrosion
- Five anodes for complete saltwater protection
- All hinge pins and hardware are stainless steel
- Adjust transom angles without the use of special tools
- Bolt patterns include Mercury or a smaller Livorsi bolt pattern for center consoles
- Hydraulic cylinders designed for 1500 PSI working pressure with dual seals, cylinders may be serviced
- Choose between plug and play LED electronic position indicators or mechanical position indicators (uses 33C cables)
- Stainless steel braided hoses are purchased separately, see back page

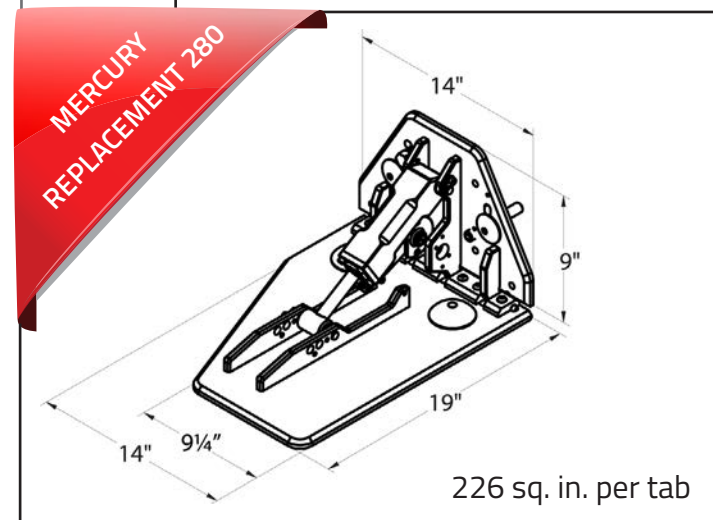
750 Performance Kits	
TTK750ML	Mechanical cable Livorsi Transom Plate 16X10"
TTK-750MM	Mechanical cable Merc Transom Plate 16X10"
TTK750EL	Electric Trim Livorsi Transom Plate 16X10"
TTK750EM	Electric Trim Merc Transom Plate 16X10"



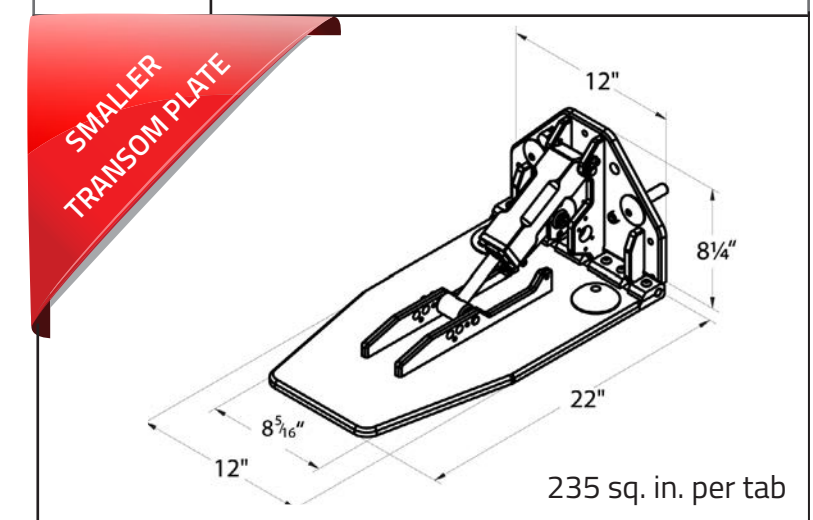
850 Military Kits	
TTK850ML	Mechanical cable Livorsi Transom Plate 16X14"
TTK850EL	Electric Trim Livorsi Transom Plate 16X14"



950 Mercury Replacement Kits for 280S	
TTK950ML	Mechanical cable Livorsi Transom Plate 20X9"
TTK950MM	Mechanical cable Merc Transom Plate 20X9"
TTK950EL	Electric Trim Livorsi Transom Plate 20X9"
TTK950EM	Electric Trim Merc Transom Plate 20X9"



1050 Performance Kits (Available in stepped hull design)	
TTK1050ML	Mechanical cable Livorsi Transom Plate 22X10"
TTK1050MM	Mechanical cable Merc Transom Plate 22X10"
TTK1050EL	Electric Trim Livorsi Transom Plate 22X10"
TTK1050EM	Electric Trim Merc Transom Plate 22X10"

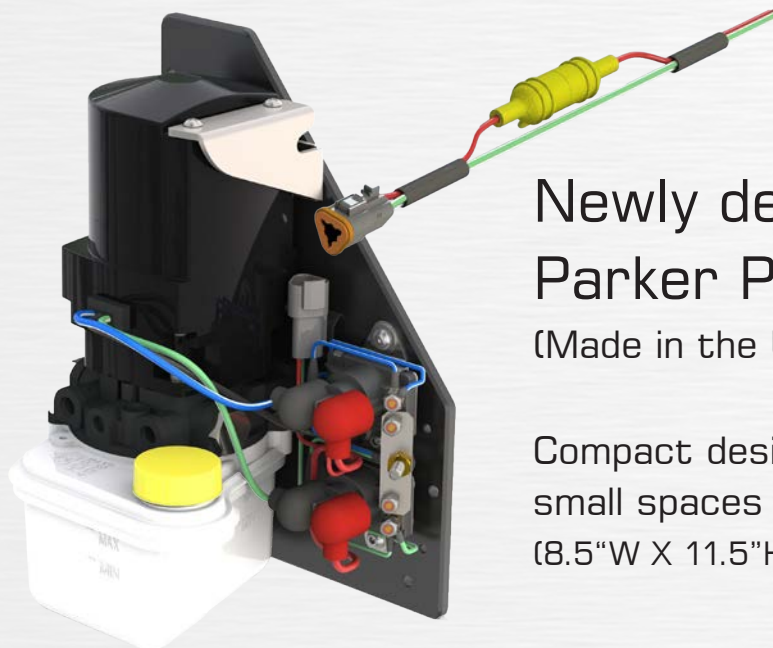


NOTE: Add "24" at end of any of these part numbers listed to order trim tabs to be used on 24V systems.

*NOTE: 1050 Tab available in stepped hull design

Trim Tab Kits include:

- Two billet tabs
- Two pumps
- Mounting hardware
- Plug in Harnesses
(shown in image)
- Thru hull fittings



Newly designed Parker Pumps

(Made in the U.S.A.)

Compact design to fit
small spaces
(8.5"W X 11.5"H)

Stainless steel braided hoses

Hoses are purchased separately. Four hoses are needed for one kit, two per cylinder.



Inverted Flare Ends	
30 inches	SSBH30IN-1
36 inches	SSBH36IN-1
48 inches	SSBH48IN-1
60 inches	SSBH60IN-1
72 inches	SSBH72IN-1
90 inches	SSBH90IN-1
19 feet	SSBH19FT-1
21 feet	SSBH21FT-1

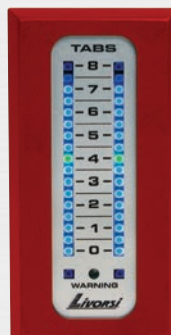


SAE J514 37° Flare Ends	
30 inches	SSBH30IN
34 inches	SSBH34IN
60 inches	SSBH60IN
90 inches	SSBH90IN
19 feet	SSBH19FT
21 feet	SSBH21FT
26 feet	SSBH26FT

Position Indicators



Mechanical
Reads position of
trim tabs with the
use of 33C cables.



Electronic
Reads position of trim tabs with
the use of electronic sensors.

These indicators are capable of reading
CAN Bus protocols such as SmartCraft®
(with Gateway), NMEA 2000® and analog
or resistive sensors.

For more information on trim tabs or indicators please visit www.livorsi.com