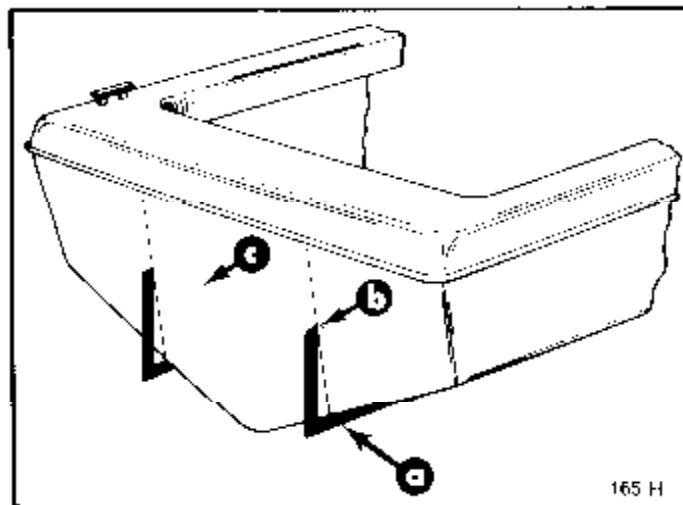


- a - Place Tool Along Boat Bottom at Vertical Centerline
- b - Point at Which Top of Tool Contacts Transom on Vertical Centerline is Engine Crankshaft Centerline
- c - Draw a Line Perpendicular to Vertical Centerline at Engine Crankshaft Centerline

Figure 5. Finding Engine Crankshaft Centerline Using 90° Straight Edge Tool (Single Installation)



- a - Place Tool Along Boat Bottom at Vertical Centerlines
- b - Point at Which Top of Tool Contacts Transom on Vertical Centerline is Engine Crankshaft Centerline
- c - Draw a Line Perpendicular to Vertical Centerlines at Engine Crankshaft Centerlines

Figure 6. Finding Engine Crankshaft Centerlines Using 90° Straight Edge Tool (Dual Installations)

B. "X" Dimension Method

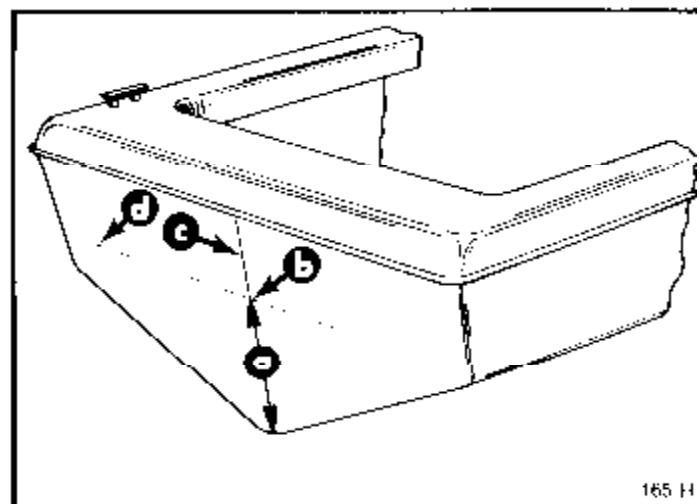
1. Determine angle of transom (Figure 1) and select approximate "X" dimension from chart following.
2. Find engine crankshaft centerline, as shown in Figure 7 or 8.

- a - "X" Dimension (from Preceding Chart) that Corresponds to Transom Angle
- b - Engine Crankshaft Centerline
- c - Vertical Centerline
- d - Draw a Line Perpendicular to Vertical Centerline at Engine Crankshaft Centerline

Figure 8. Finding Engine Crankshaft Centerlines Using "X" Dimension Method (Dual Installations)

"X" DIMENSION CHART		
Transom	Dual Installations	Single Installations
10°	15" (381mm)	16" (406mm)
11°	15-1/8" (384mm)	16-1/8" (419mm)
12°	15-1/4" (392mm)	16-1/4" (419mm)
13°	15-7/16" (392mm)	16-1/2" (419mm)
14°	15-9/16" (395mm)	16-9/16" (421mm)
15°	15-3/4" (400mm)	16-13/16" (427mm)
16°	15-7/8" (403mm)	16-15/16" (430mm)
	This Dimension Will Place Drive Unit Anti-Ventilation Plate Flush with Boat Hull	This Dimension Will Place Drive Unit Anti-Ventilation Plate 1" (25.4mm) above Boat Bottom

NOTE: The Above Dimensions Will Provide a Satisfactory Drive Unit Mounting Height for Most Boats. However, How can Be Increased Slightly on Some Boats to Provide Better Performance. Only by Testing Will It Be Possible to Find the Best Drive Unit Mounting Height for a Particular Boat.



- a - "X" Dimension (from Preceding Chart) that Corresponds to Transom Angle
- b - Engine Crankshaft Centerline
- c - Vertical Centerline
- d - Draw a Line Perpendicular to Vertical Centerline at Engine Crankshaft Centerline

Figure 7. Finding Engine Crankshaft Centerline Using "X" Dimension Method (Single Installations)

