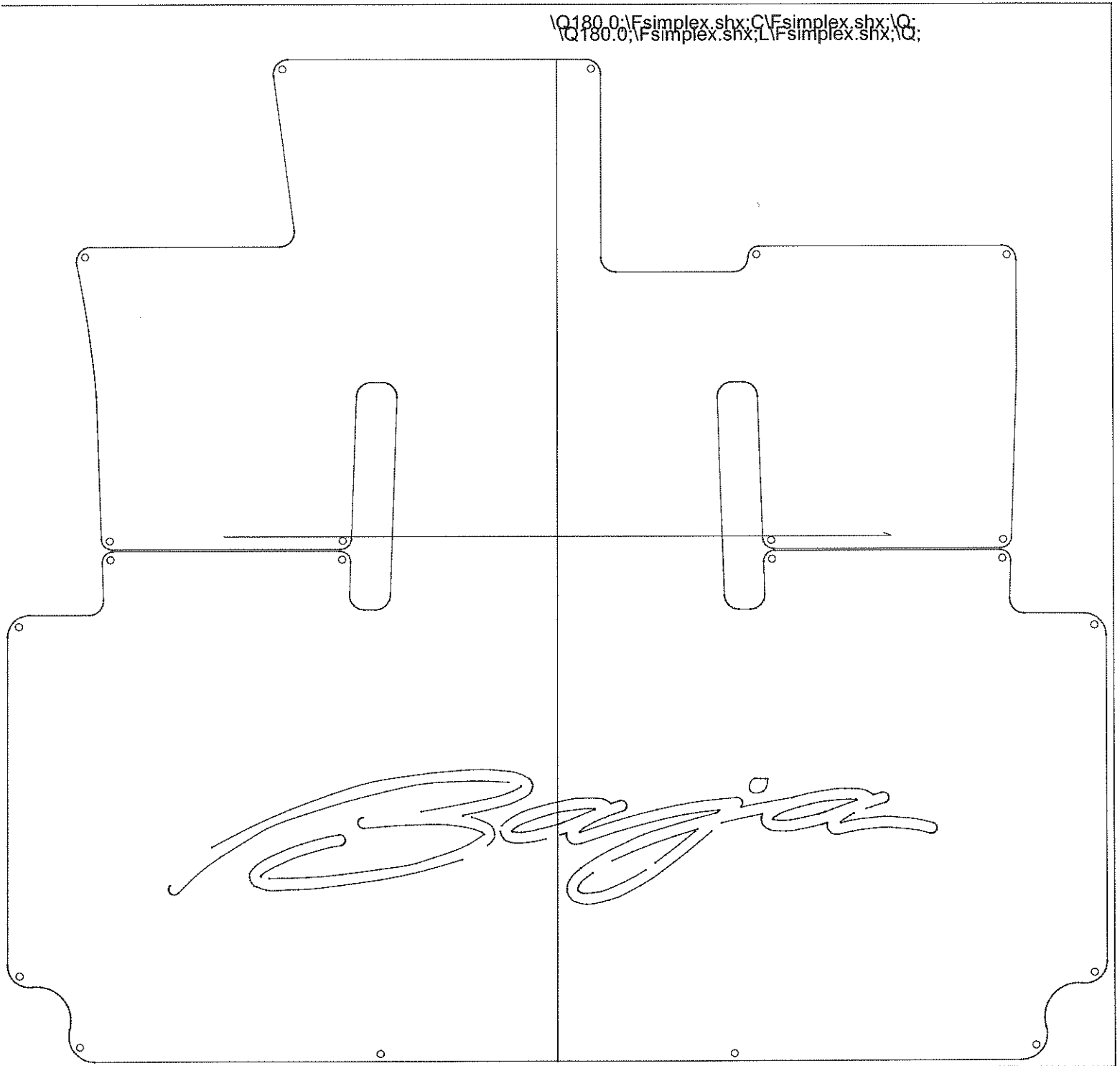
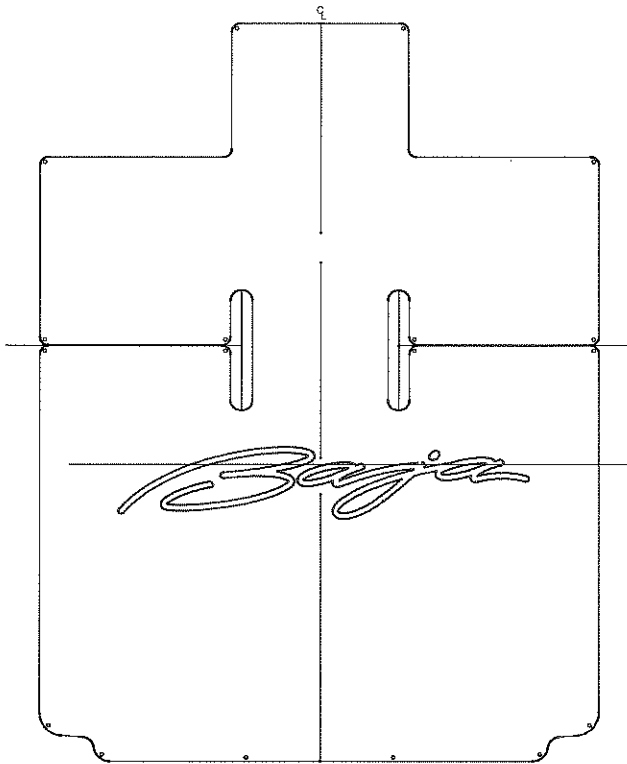


1750594

Q180.0\Fsimplex.shx;C\Fsimplex.shx\Q;  
Q180.0\Fsimplex.shx;L\Fsimplex.shx\Q;



1789400



REV.	REVISION RECORD	ENR #	DATE	CR.
------	-----------------	-------	------	-----

**OPTIONAL**  
**McLOUD-II BOLSTERS**

USE 40 oz. WEIGHT CARPET  
WITH RUBBER BACKING.


**2005 COLOR OPTIONS**

- RIVERA RED - 1789400
- CARBON - 1789401
- IRIS (PLUM) - 1789554
- REGAL BLUE - 1789402

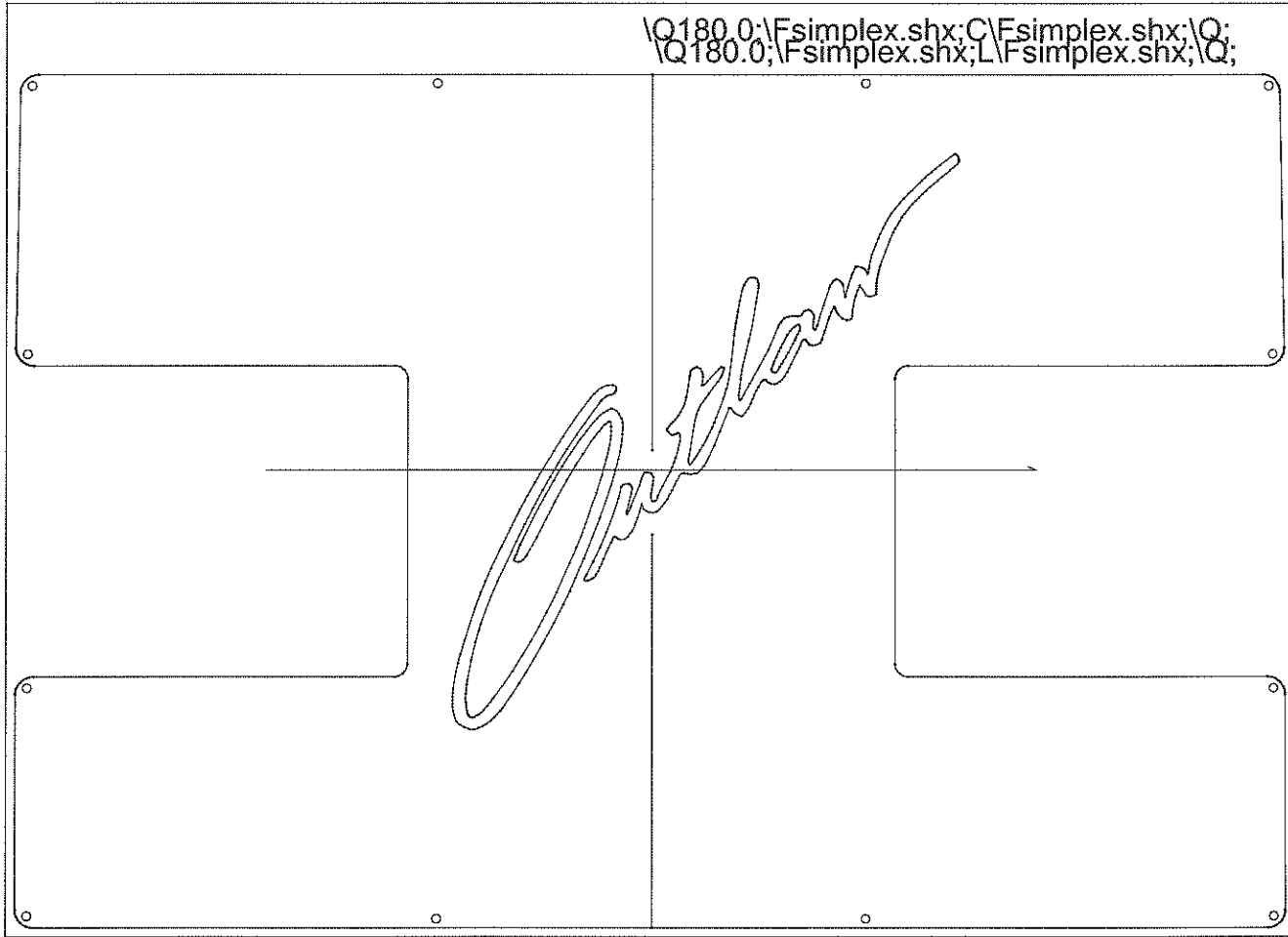
VENDOR: R & R CARPET

NOTE: THIS DRAWING CONTAINS INFORMATION PROPRIETARY TO BAJA MARINE CORP. ANY U

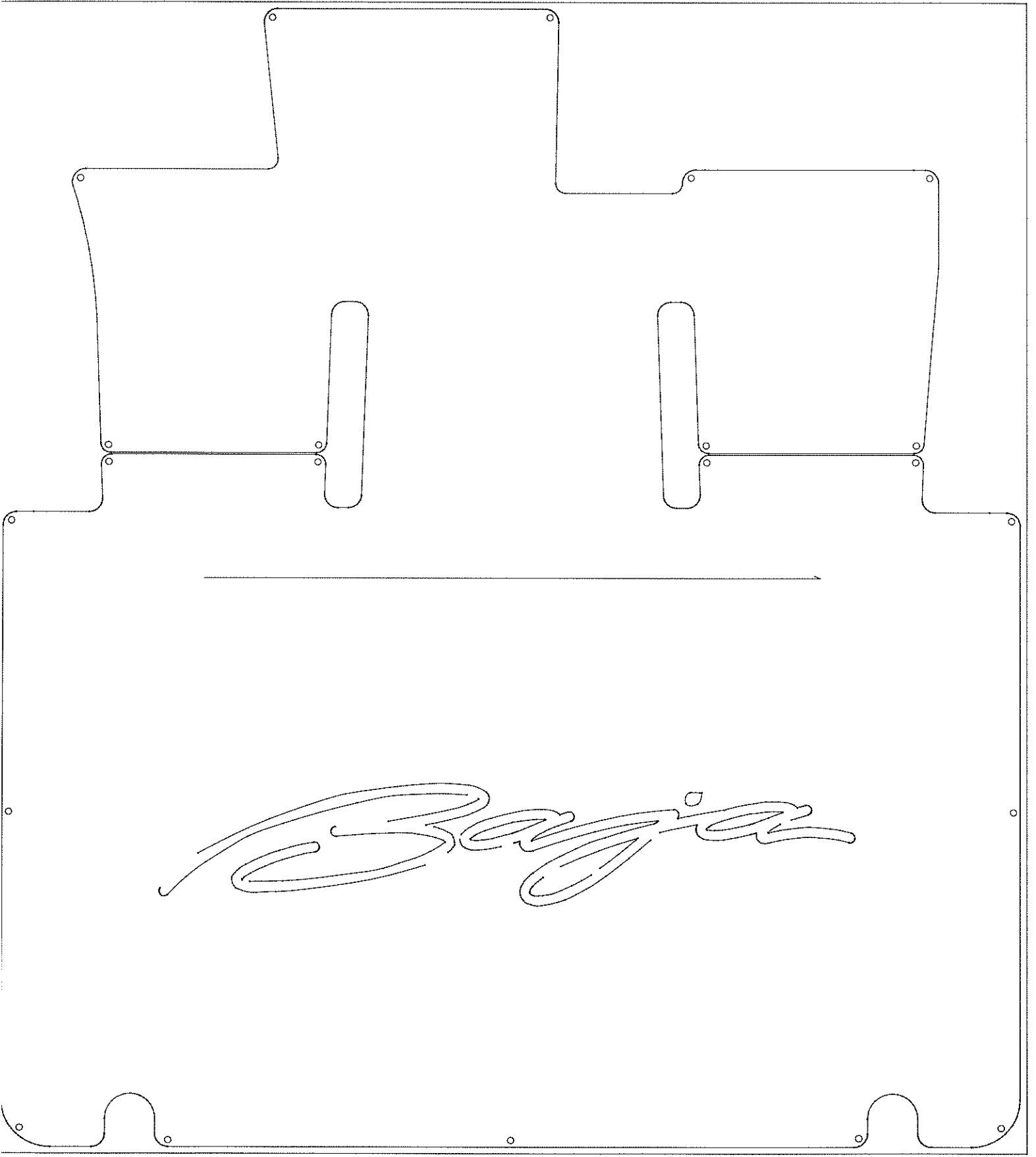
ALL DIMENSIONS ARE IN INCHES UNLESS OTHERWISE SPECIFIED. TOLERANCES: .125

 BAJA MARINE CORP (BUCYRUS) OHIO		QTY.	PART NO.	DESCRIPTION	ITEM
DRAFT	8/25/04				
CHWG					
		33 OL, 2 MC-II BOL.	SIZE	B	1789400
		CARPET, COCKPIT	SCALE:	1" = 1'	SHT. 1 OF 1

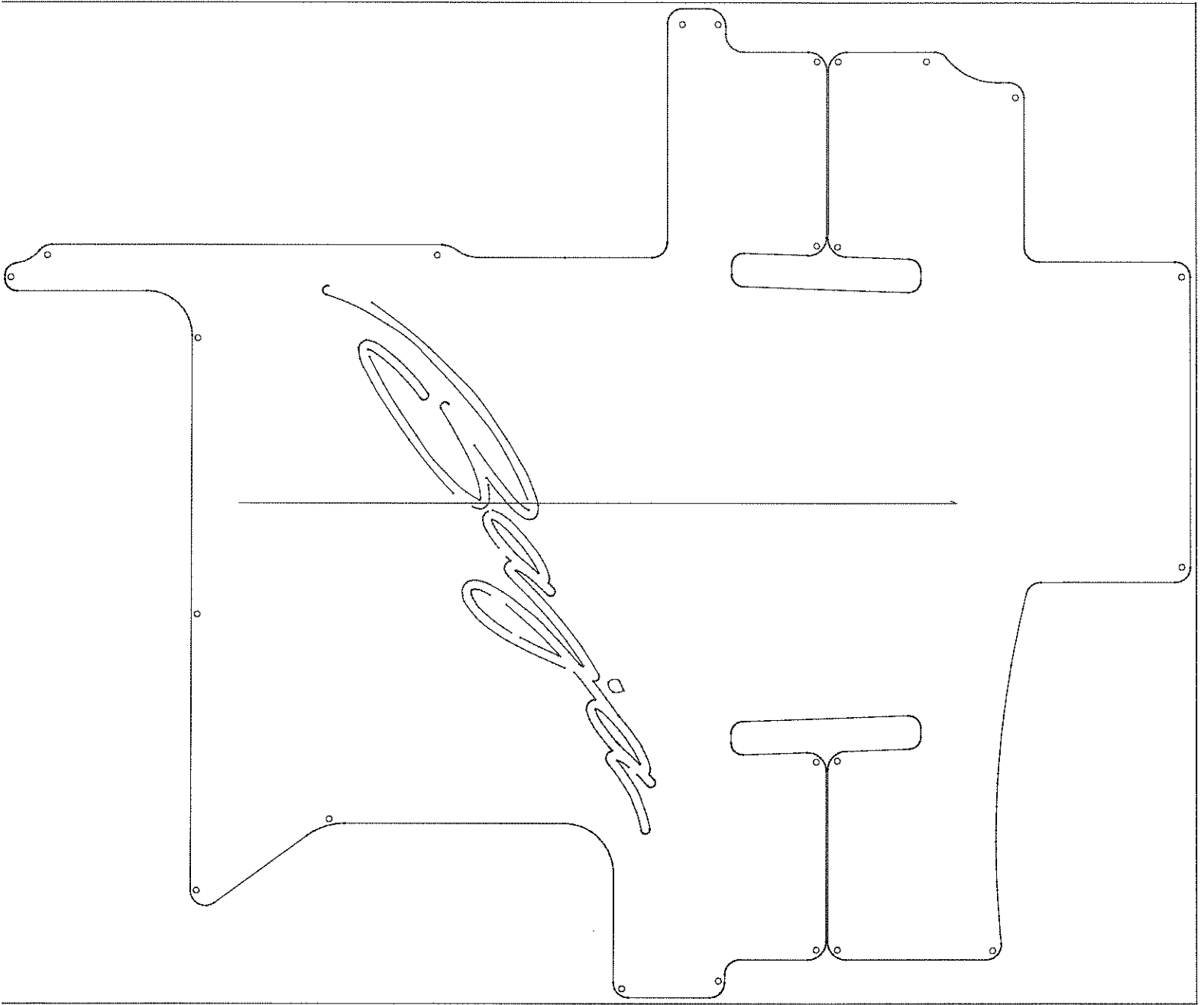
1804214



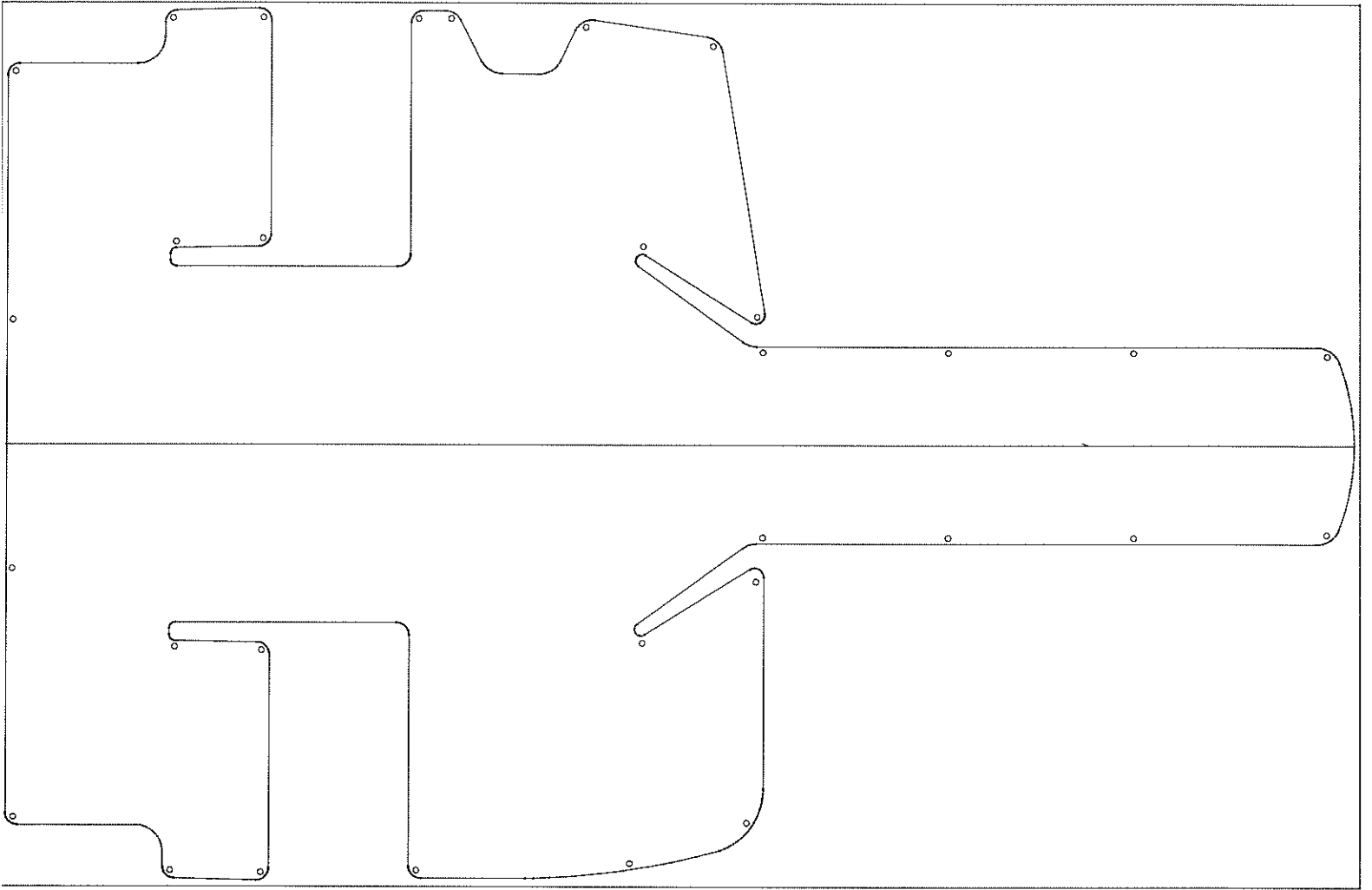
1813198



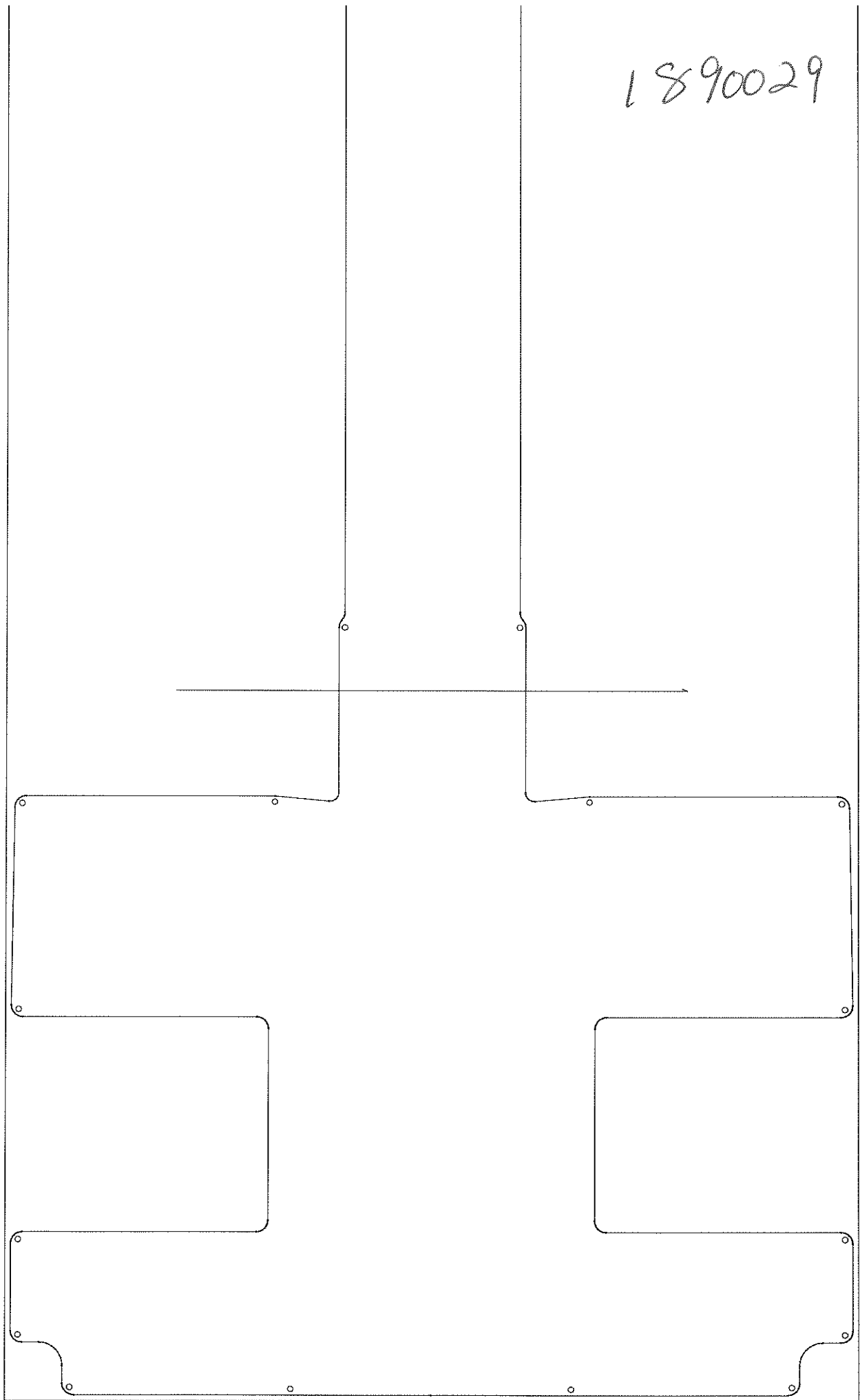
1887433



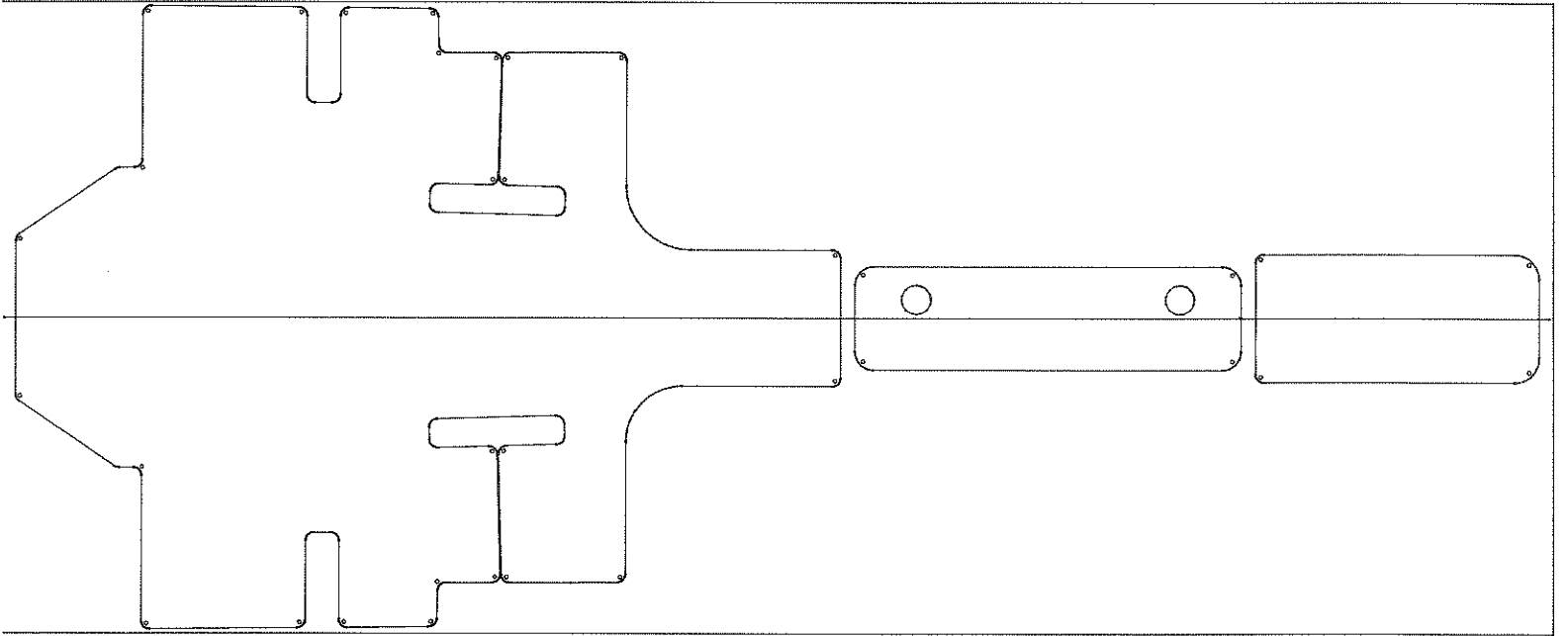
1890028



1890029

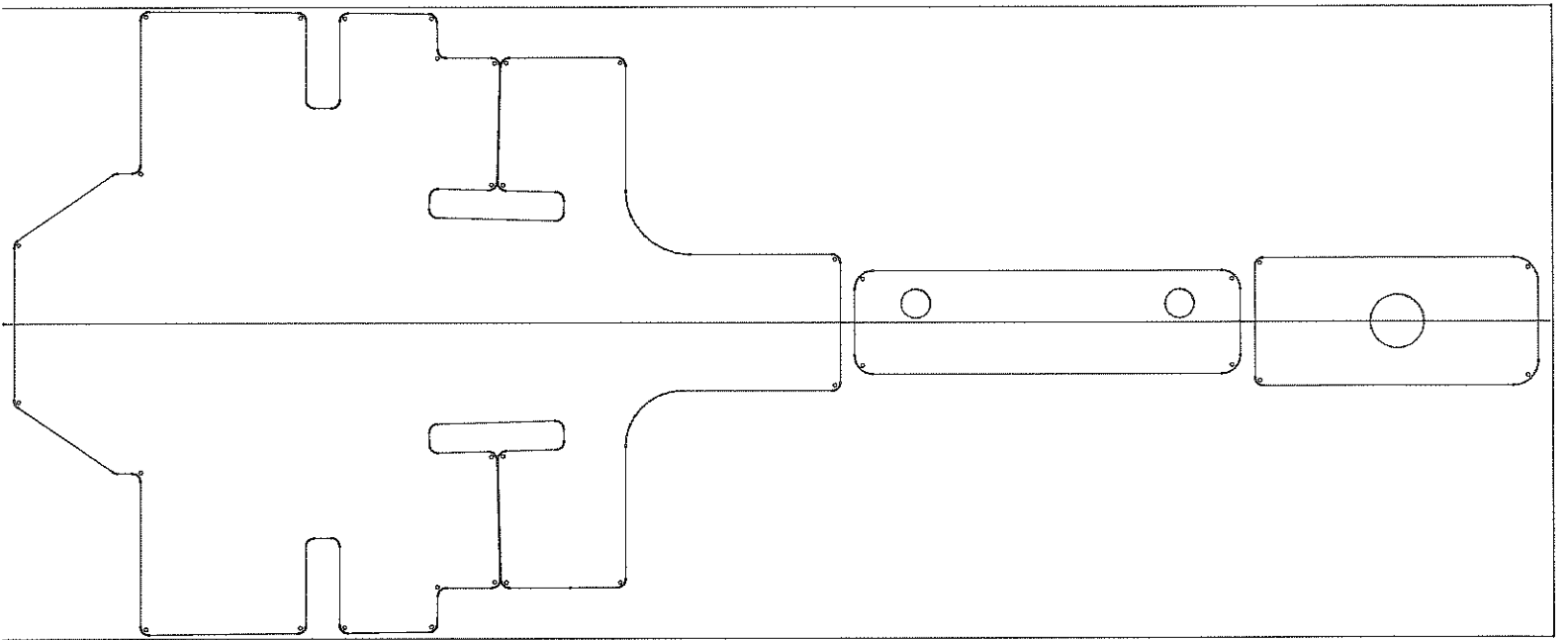


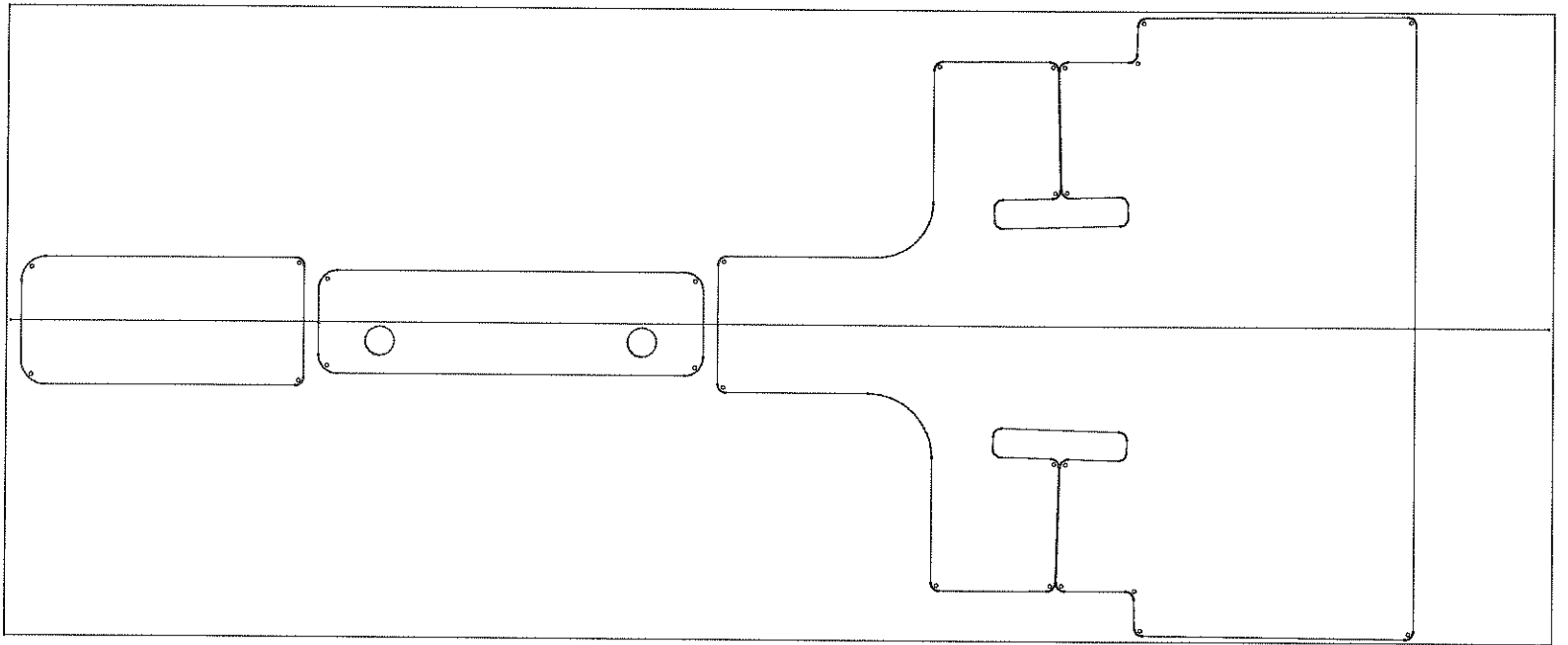
1892894



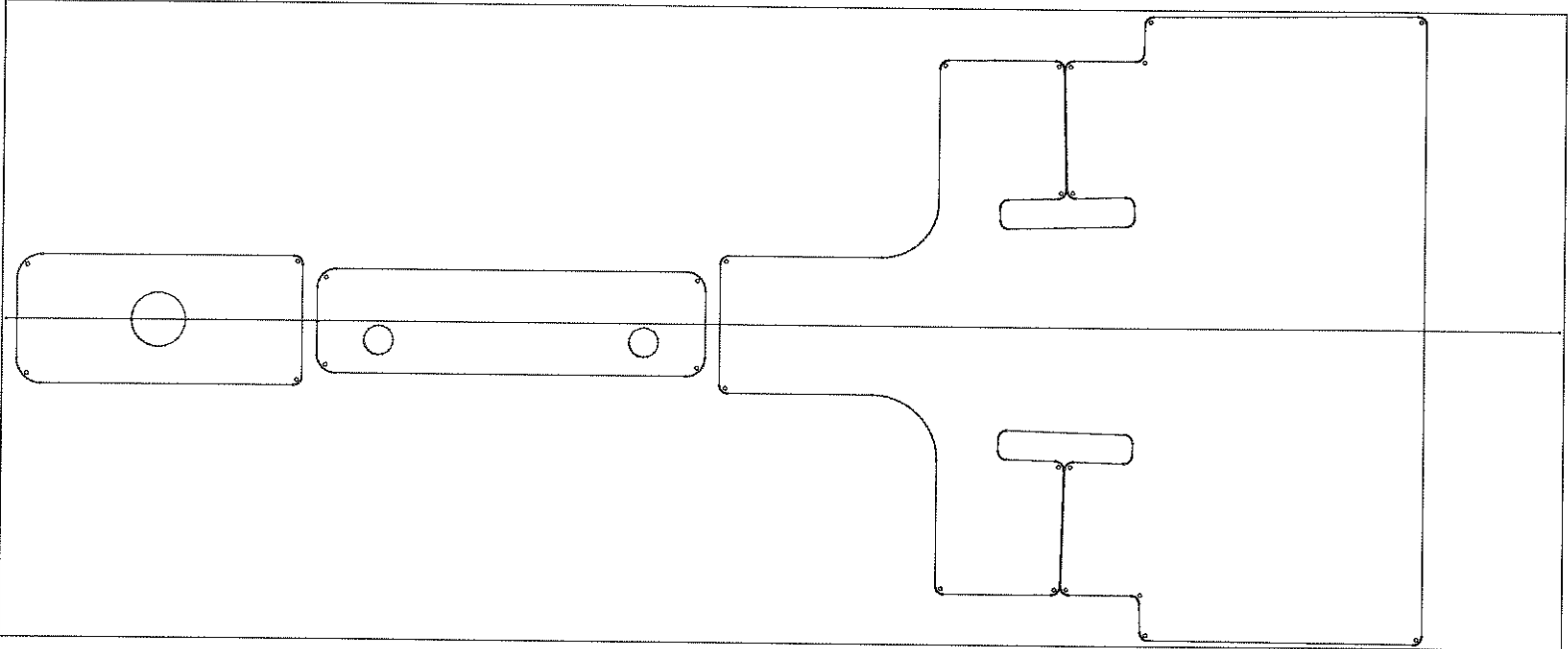


1892895

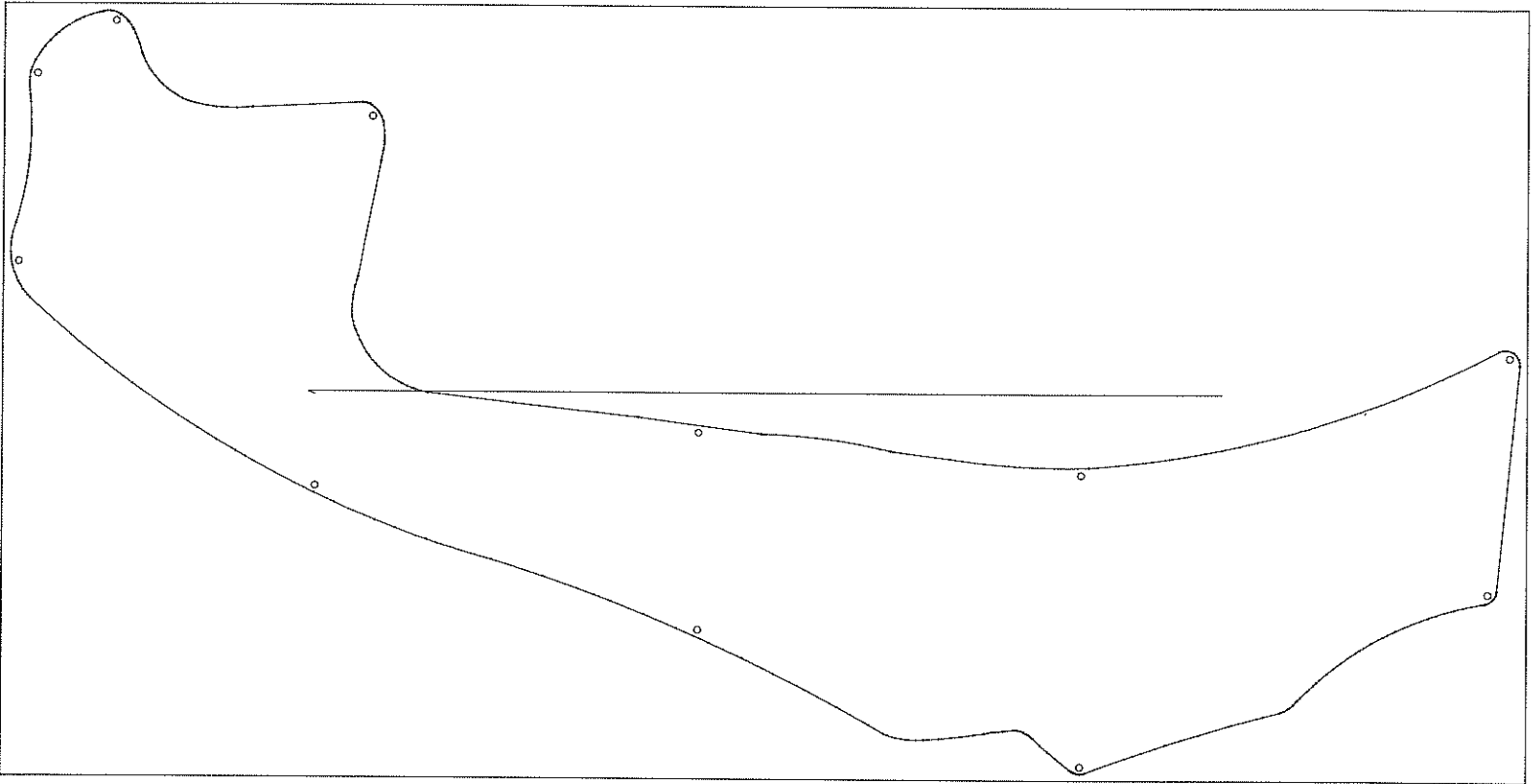




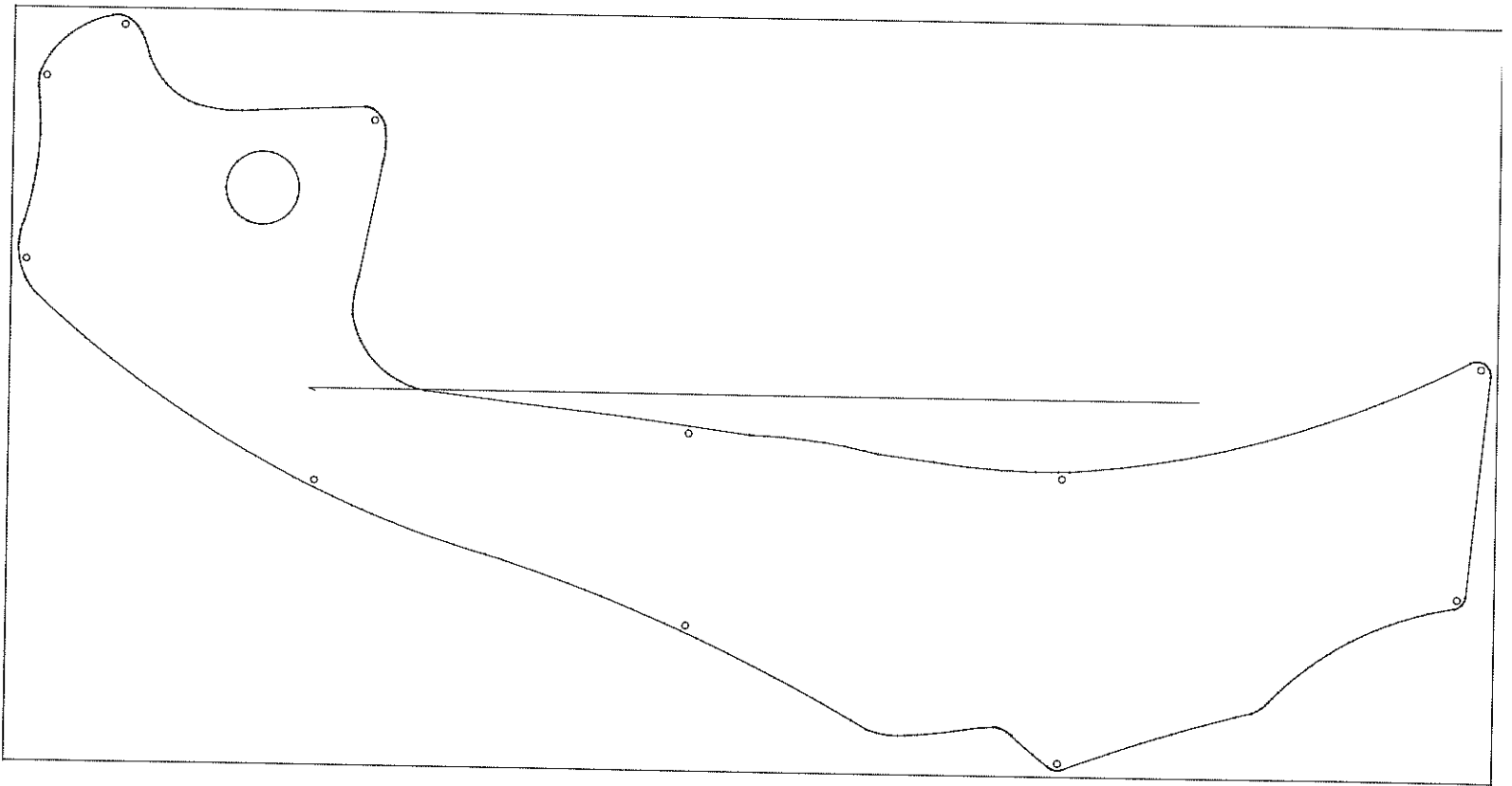
968eb81



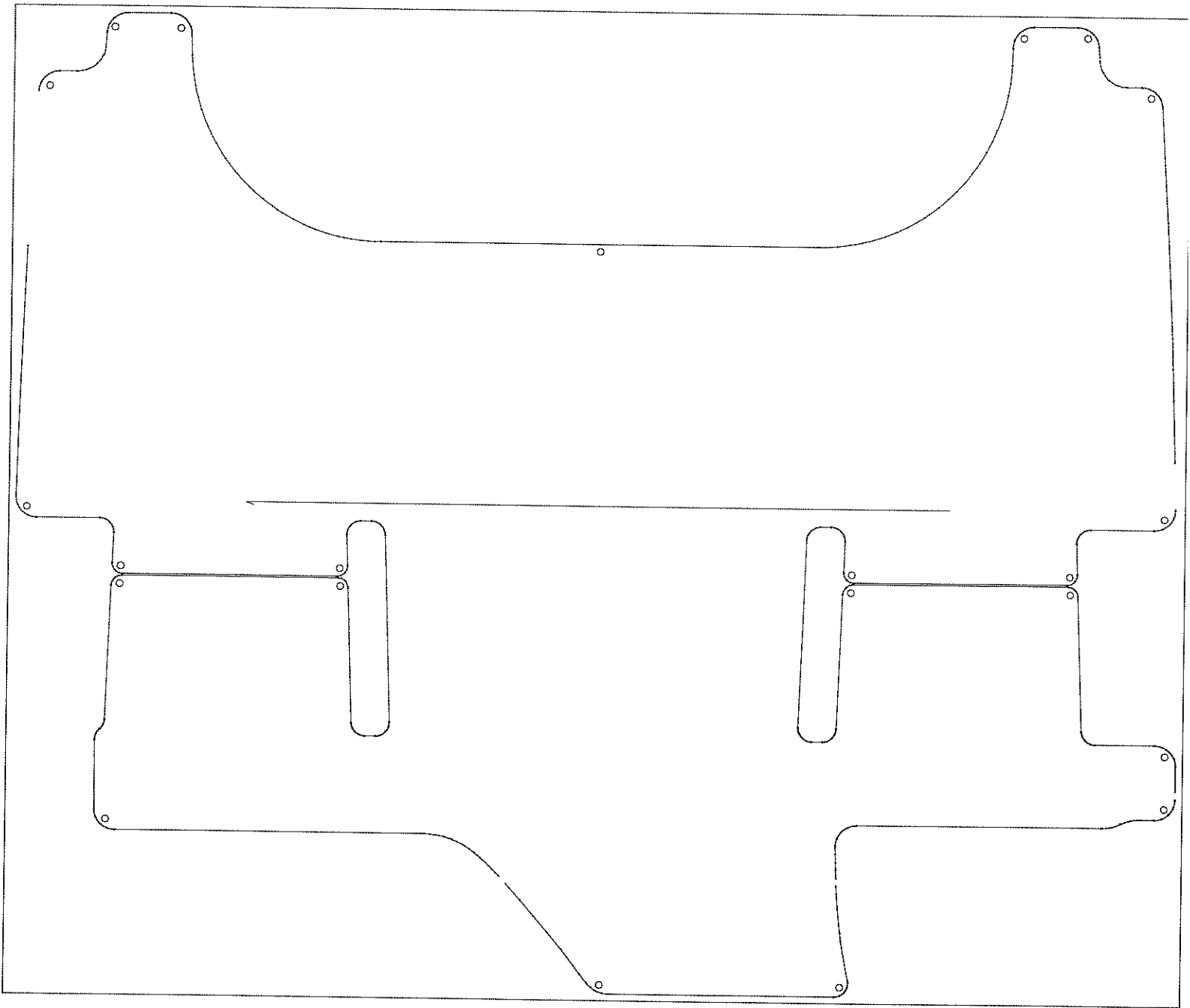
1892894



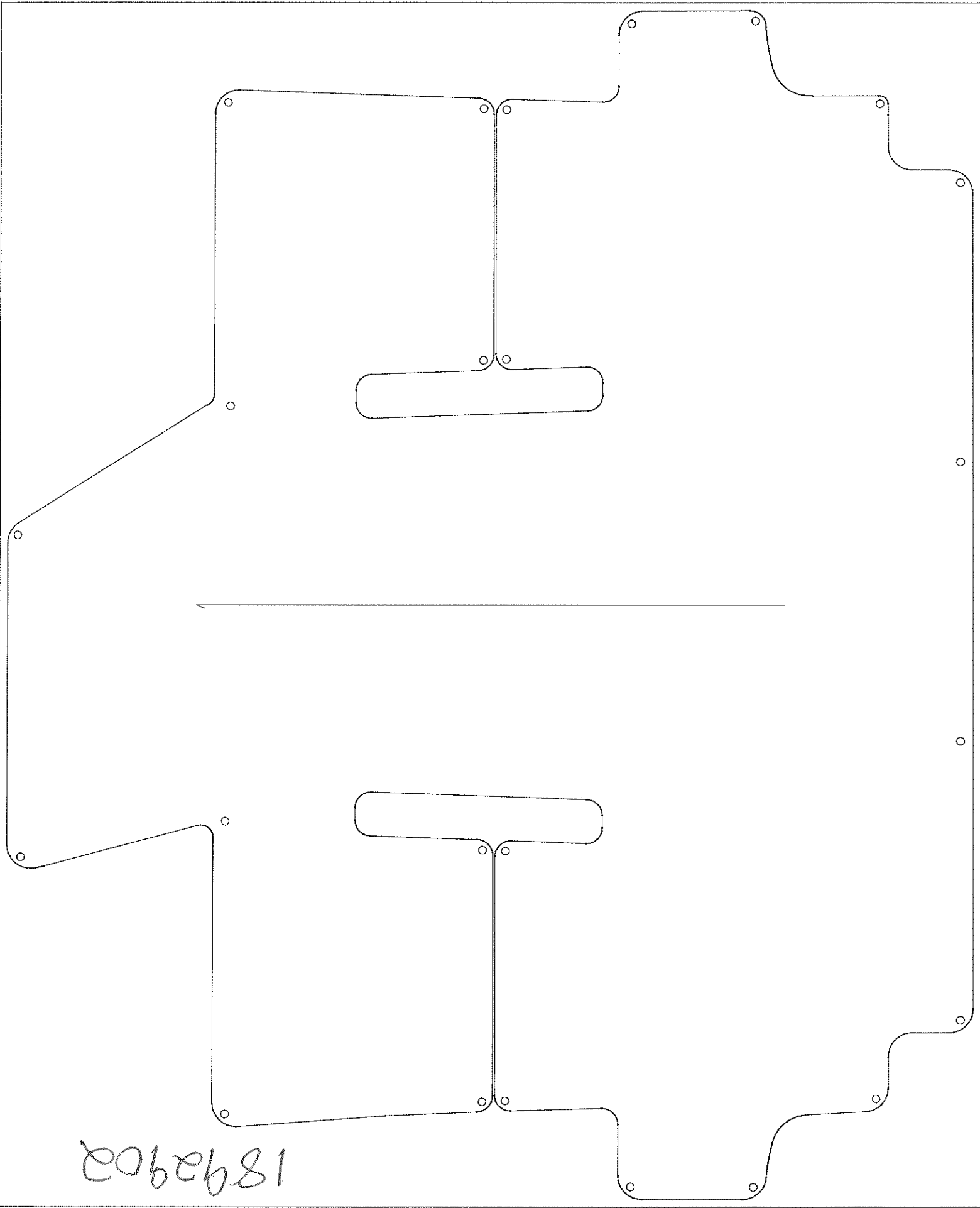
1820681



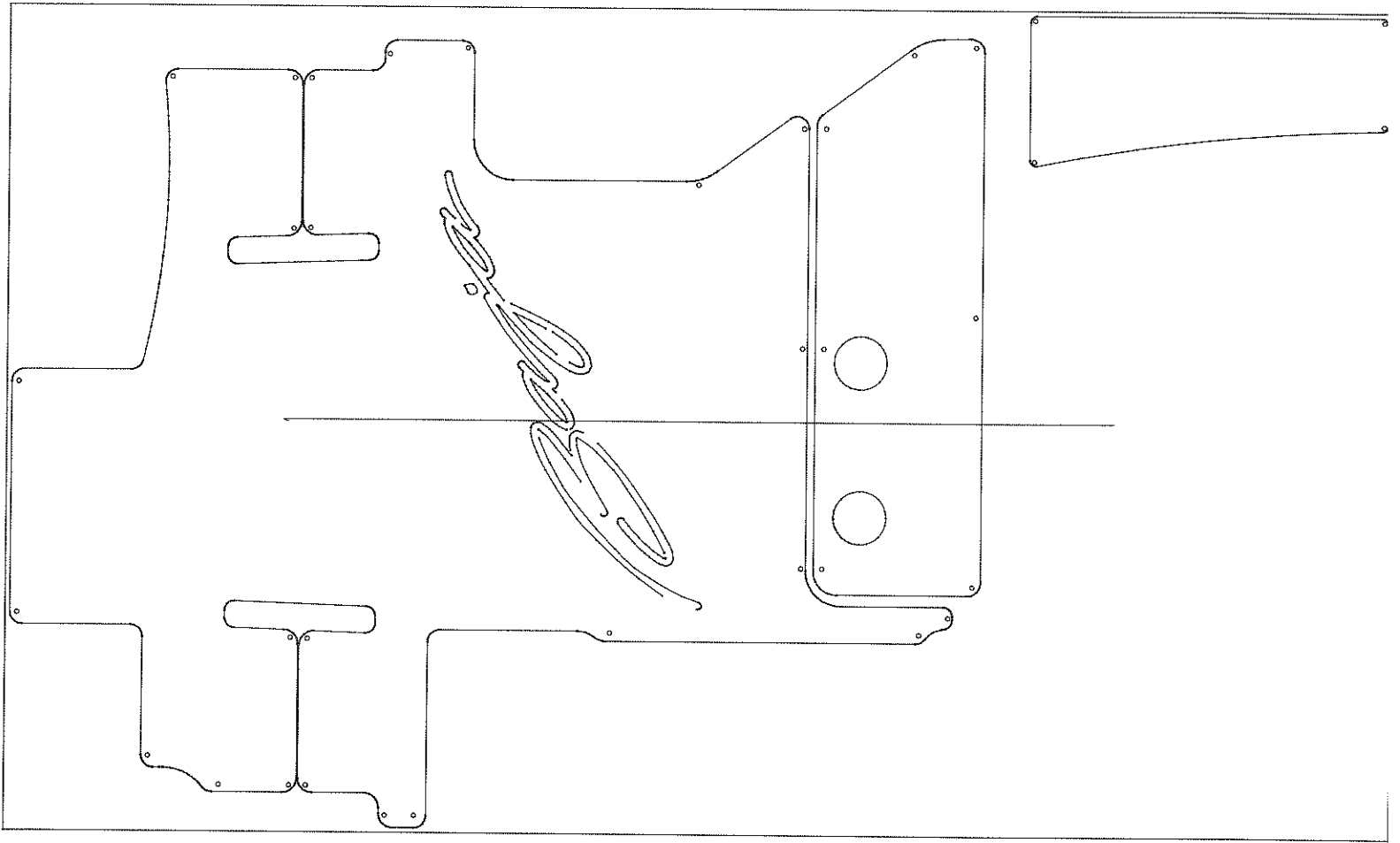
6680681



1892900

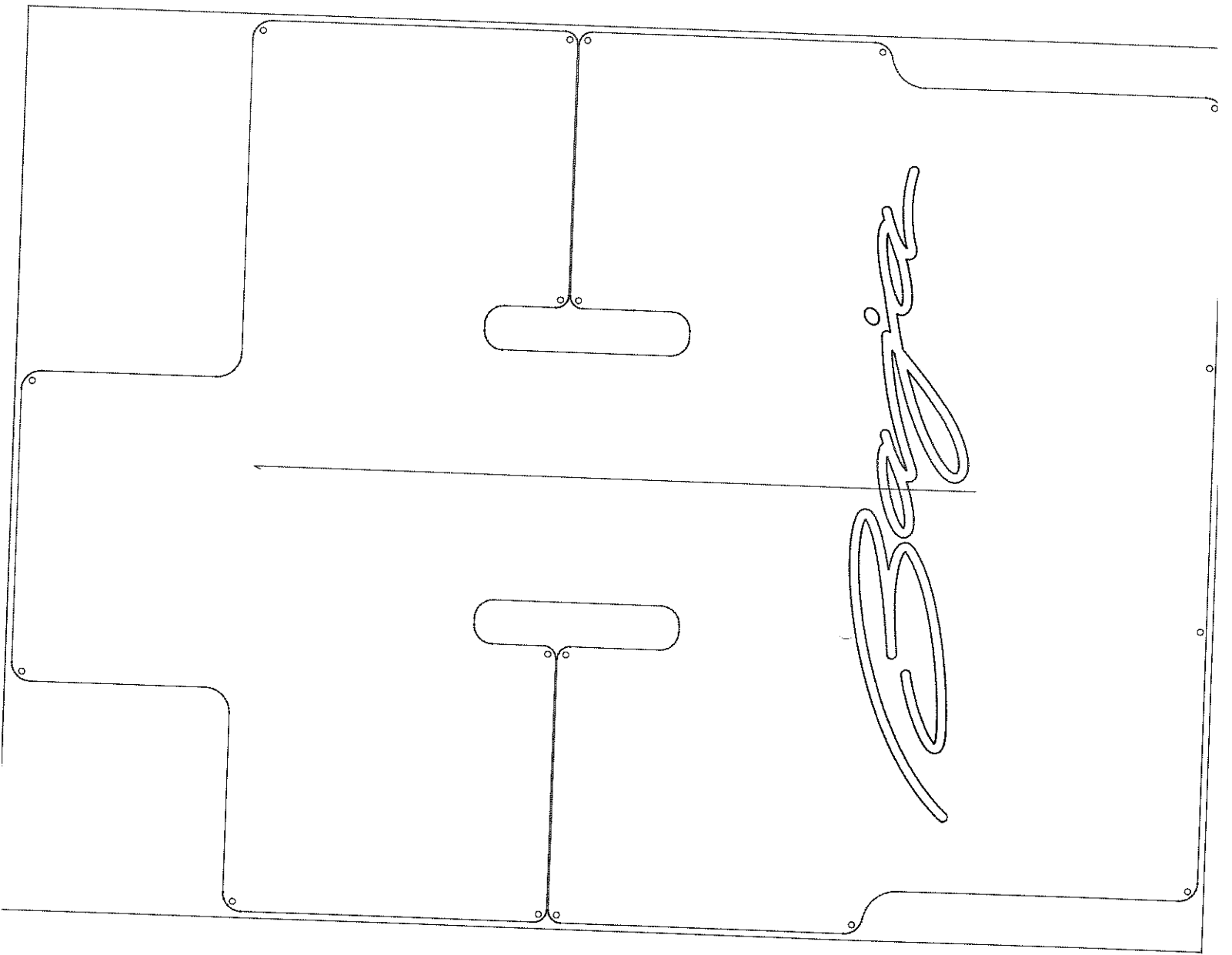


1892902

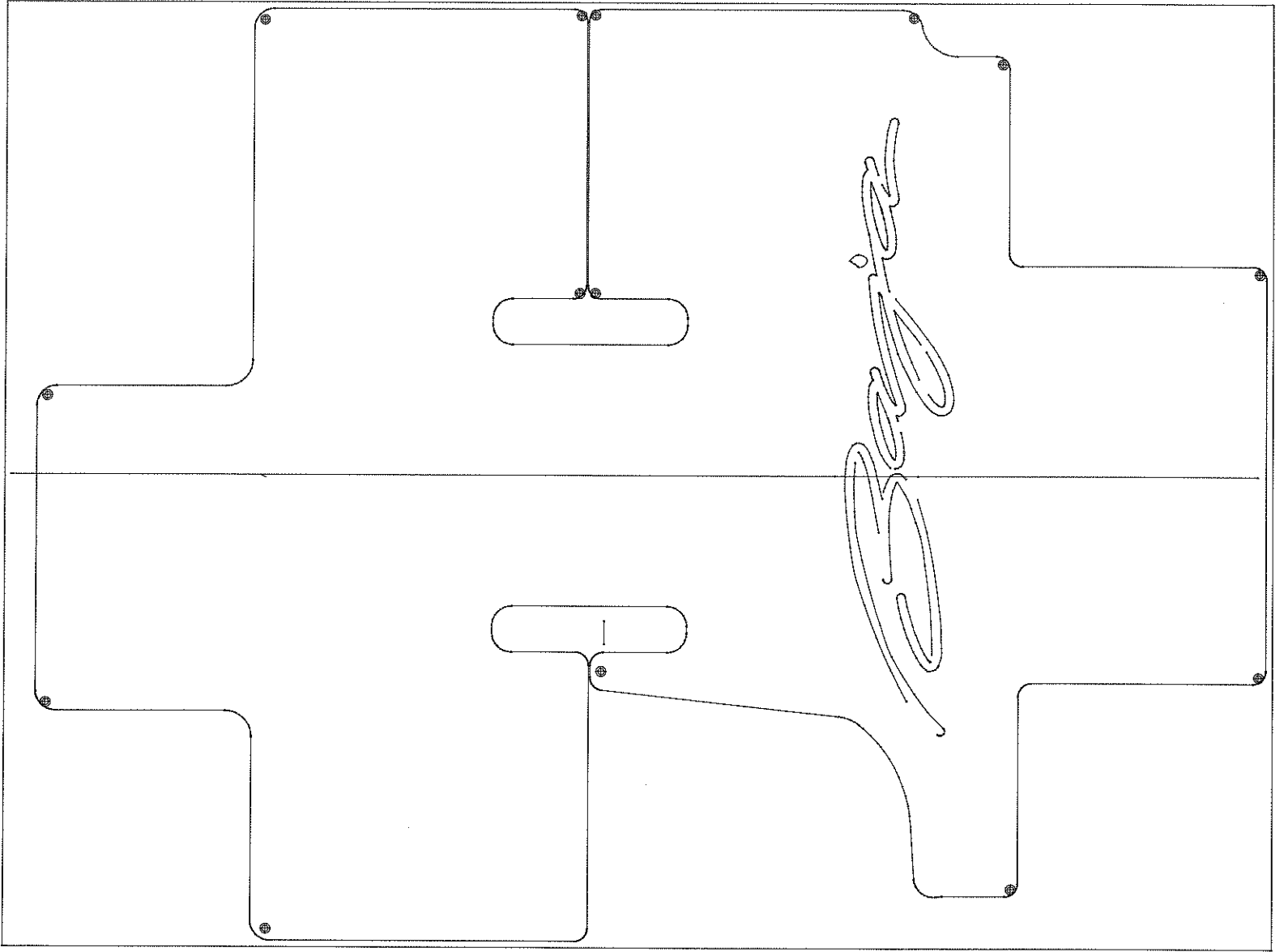


1896115

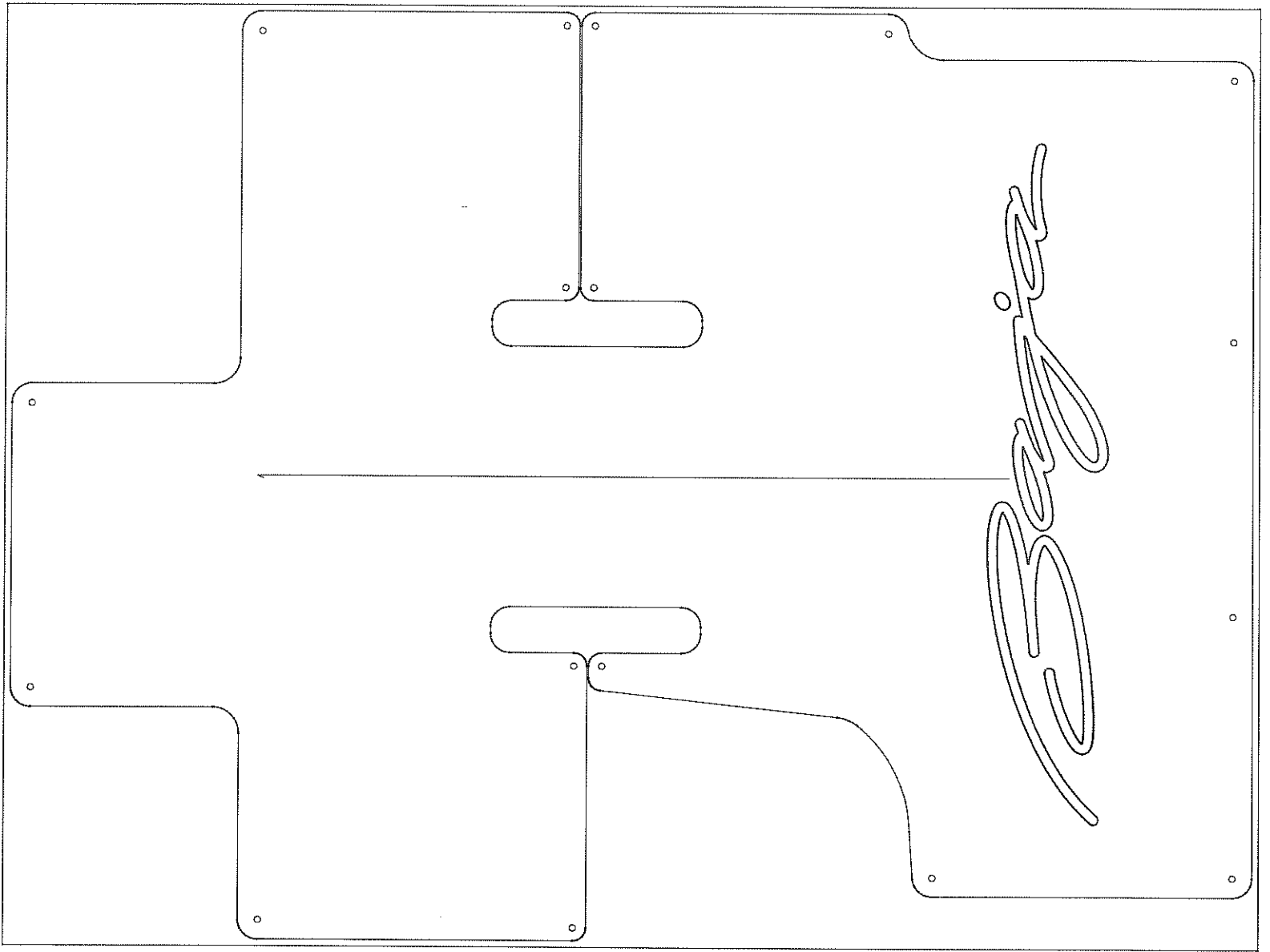




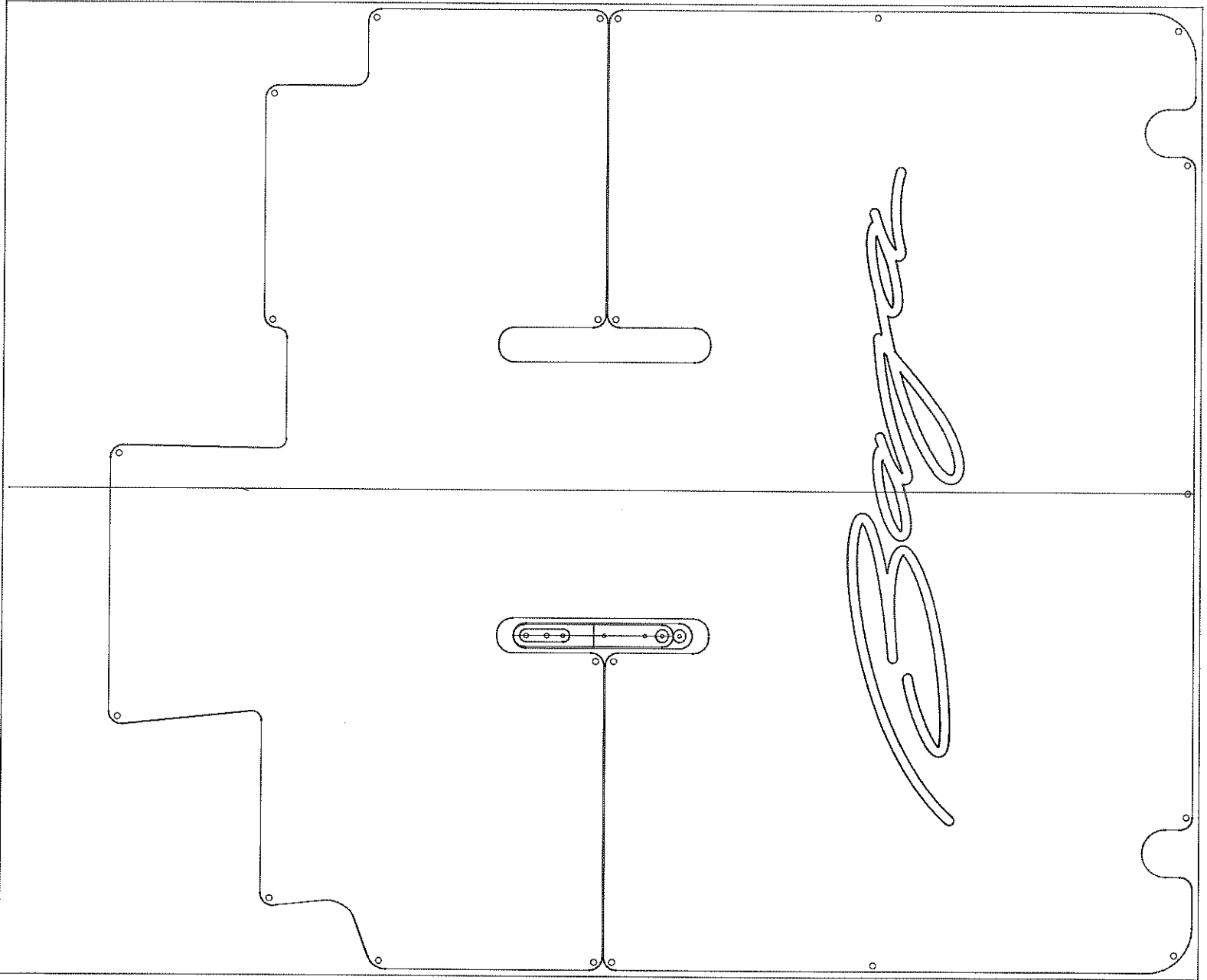
189685



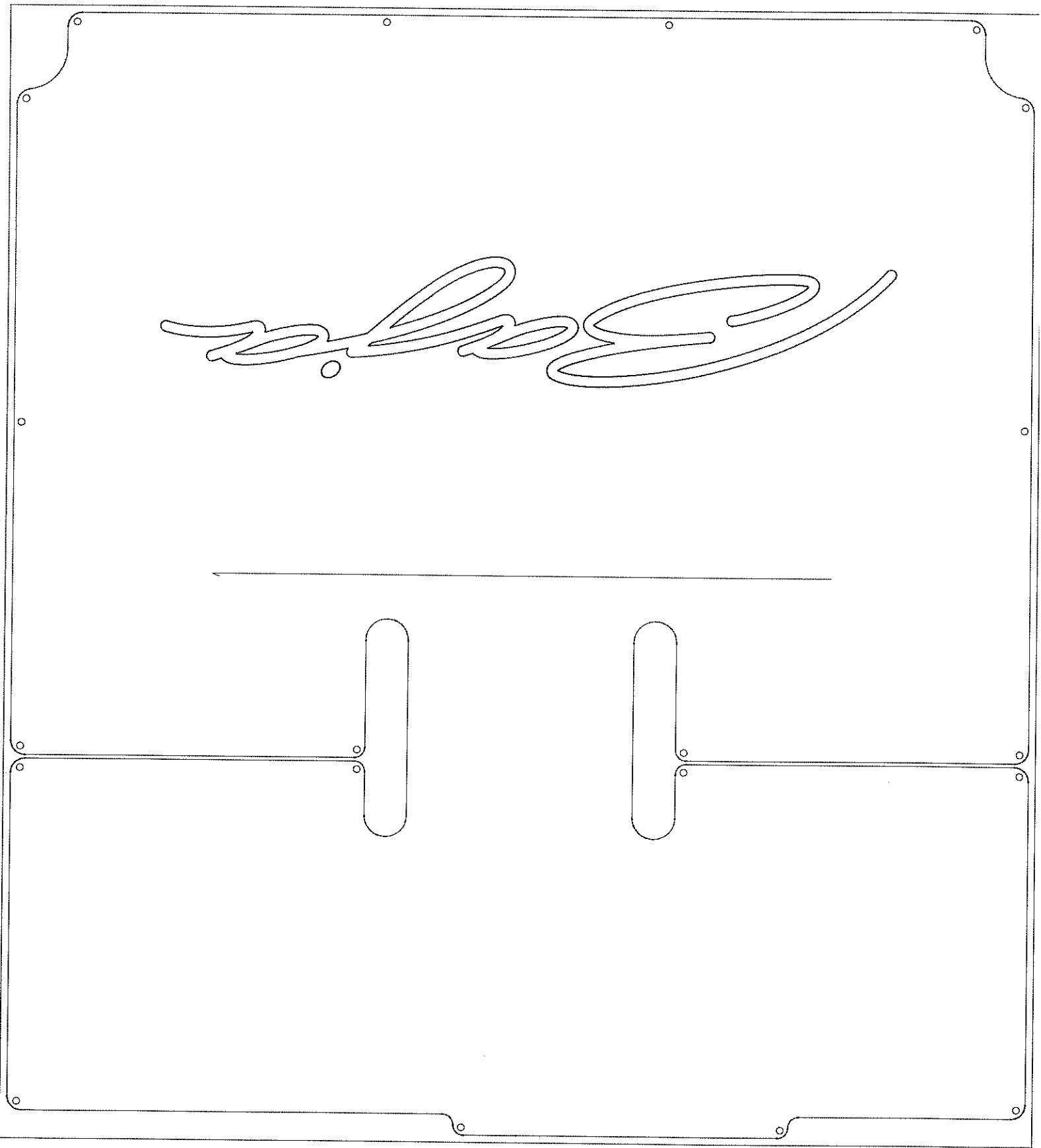
1896864



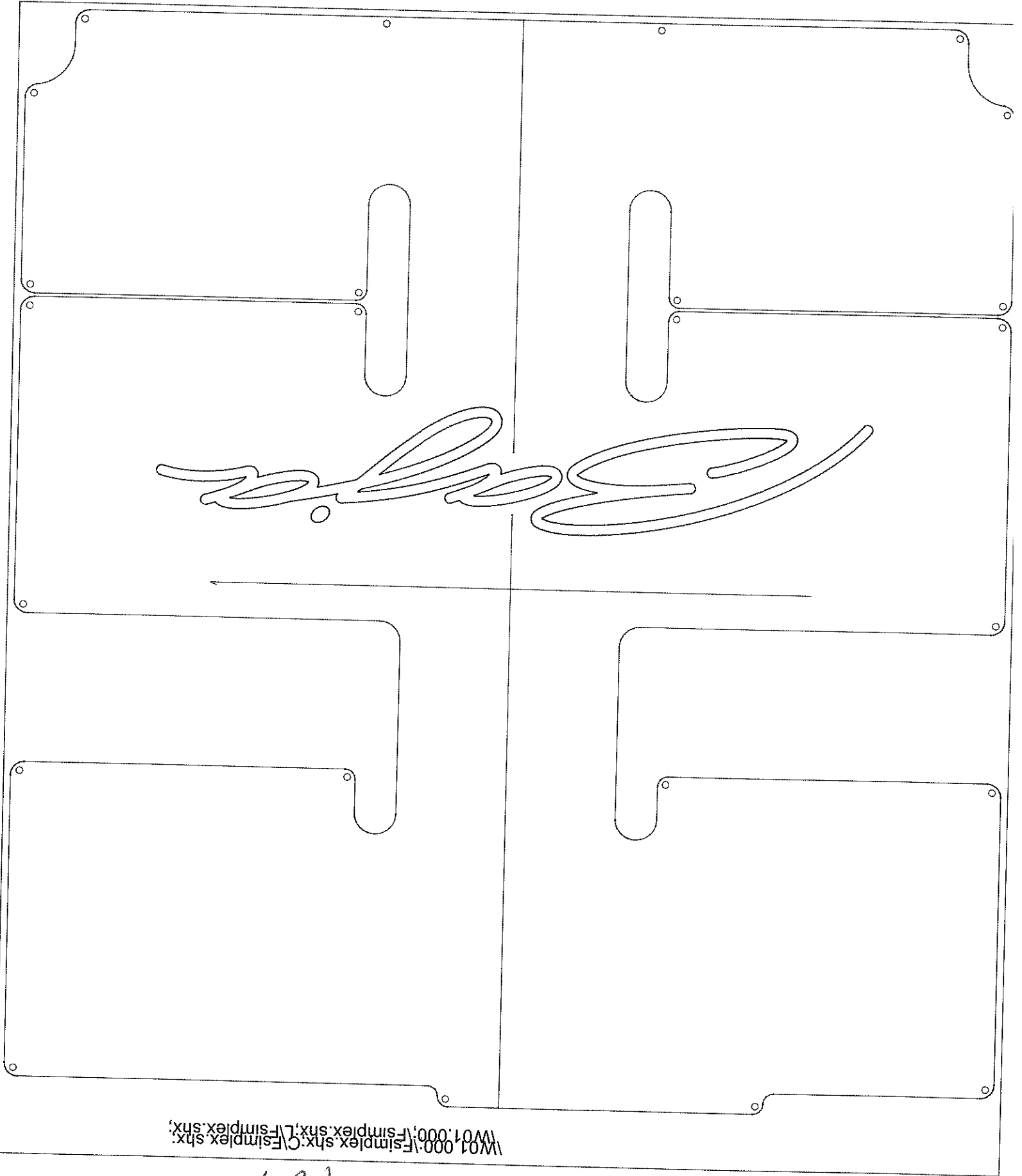
Q289681



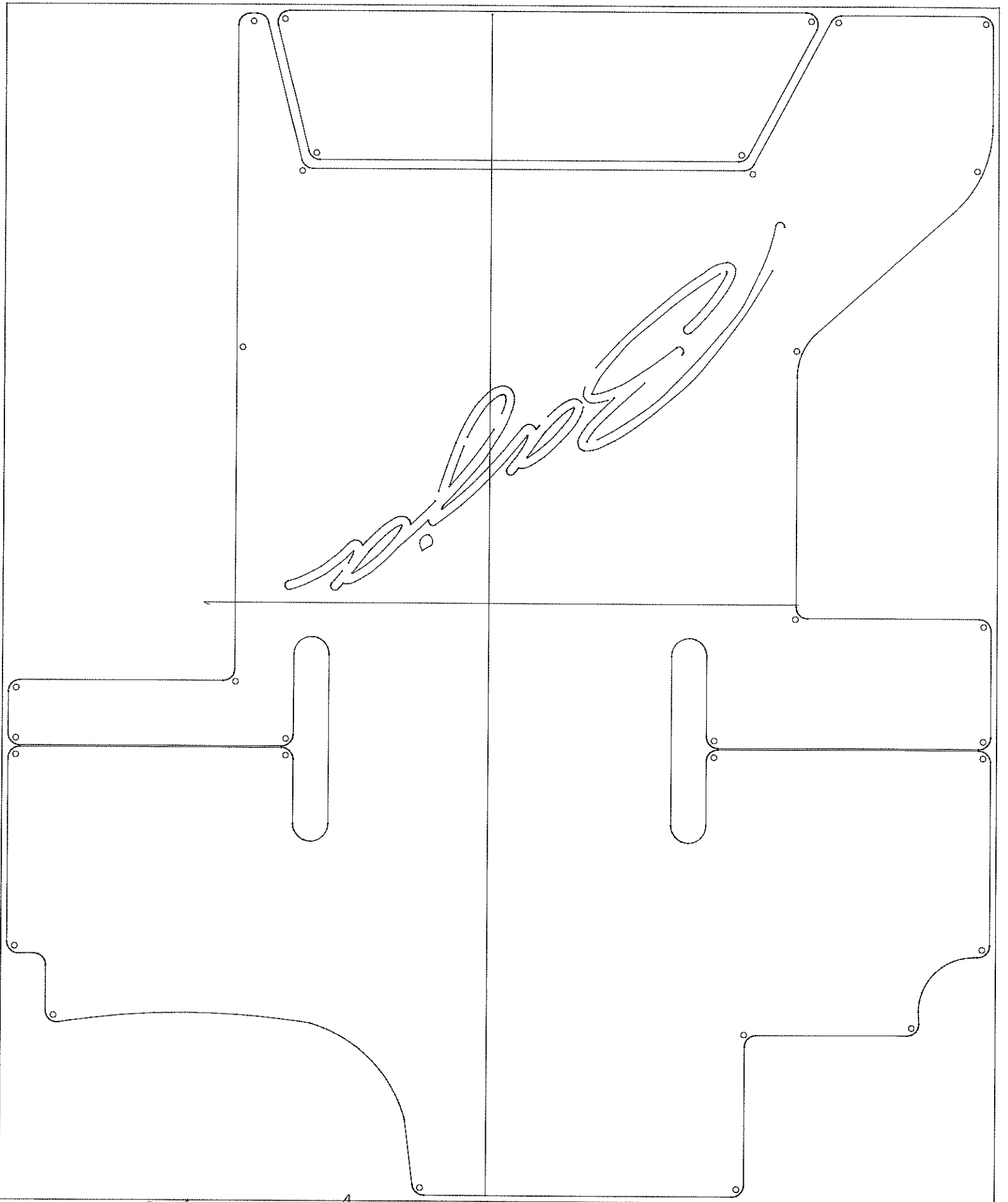
C489681



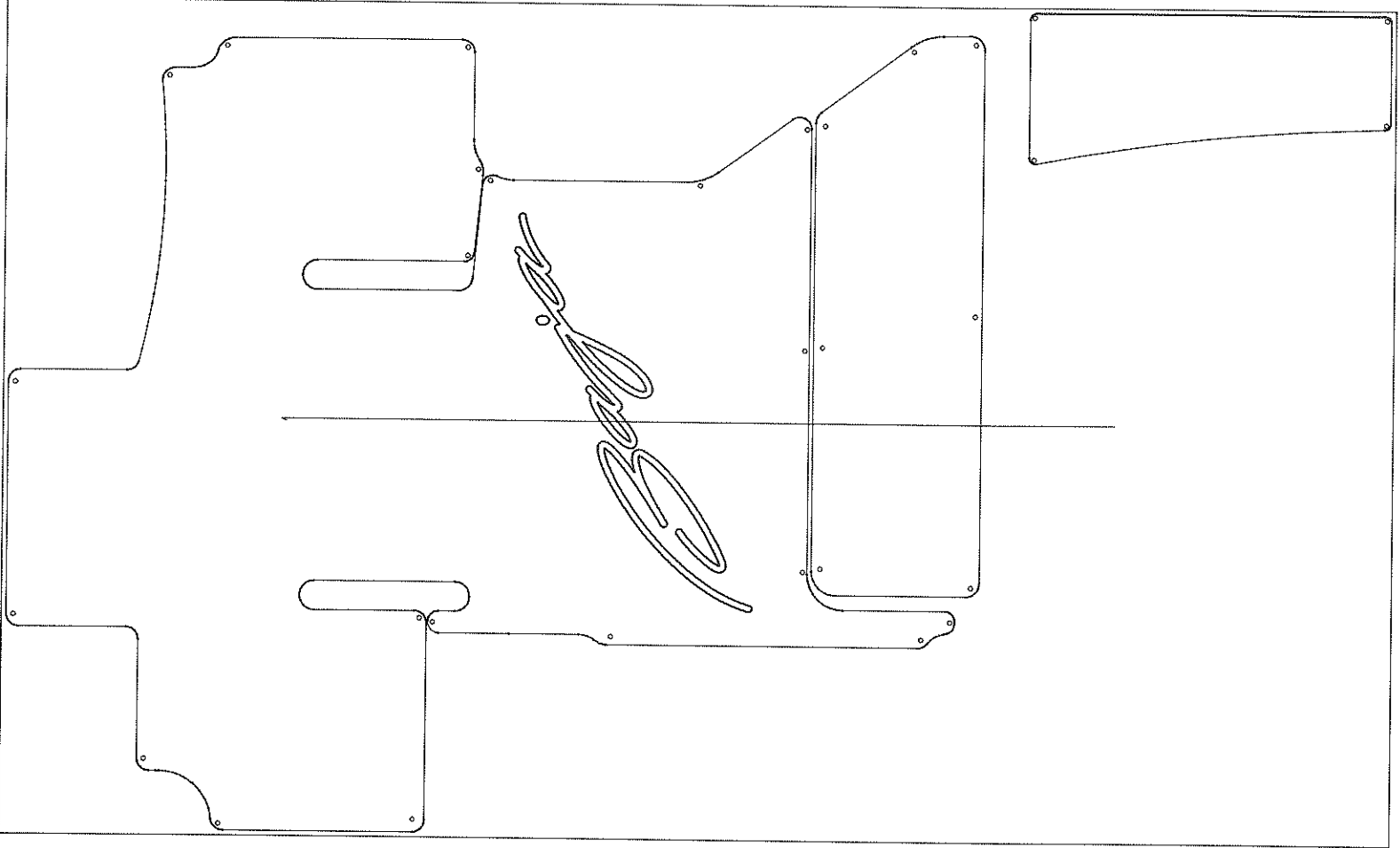
1896873



1896874

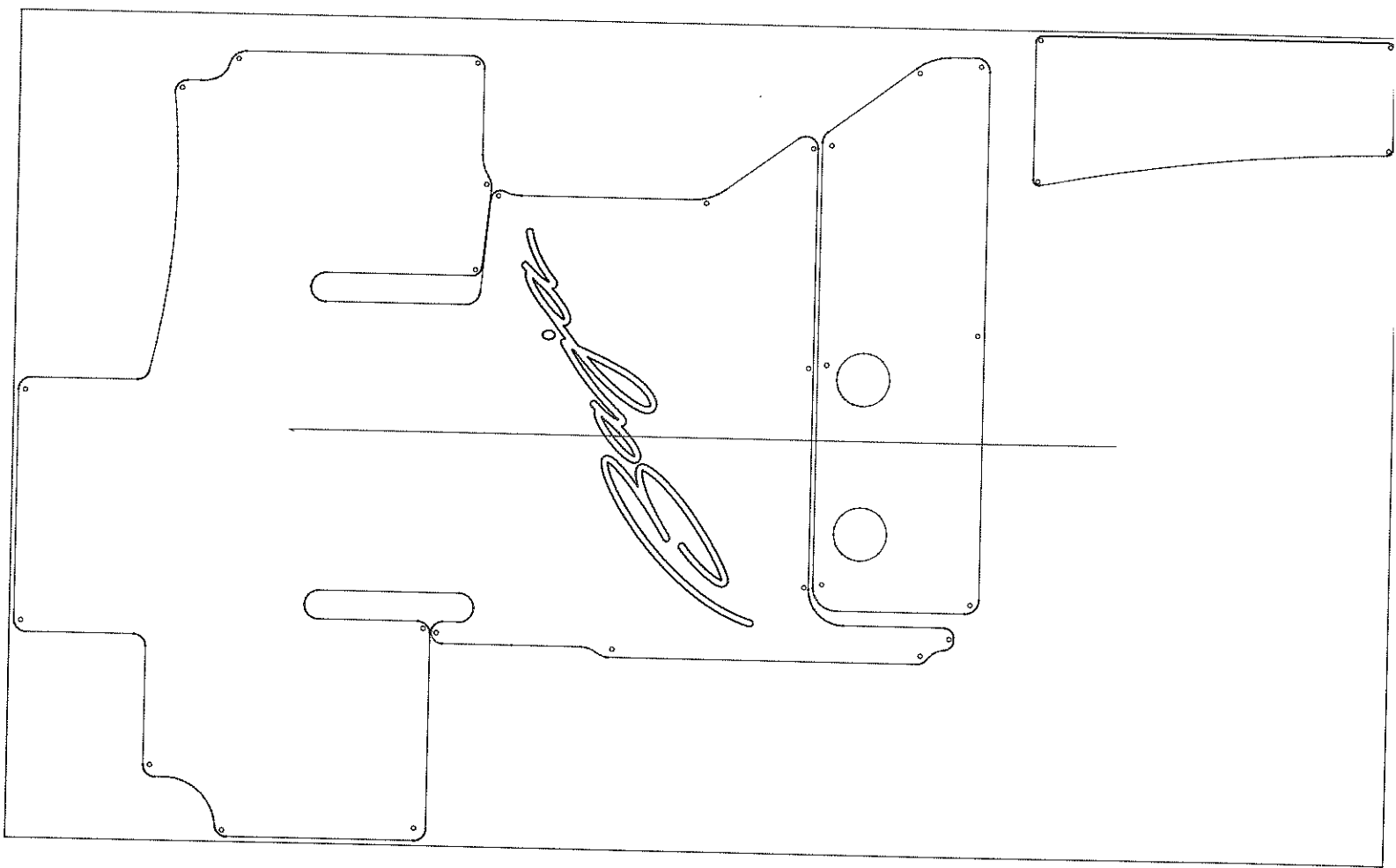


SK 89681

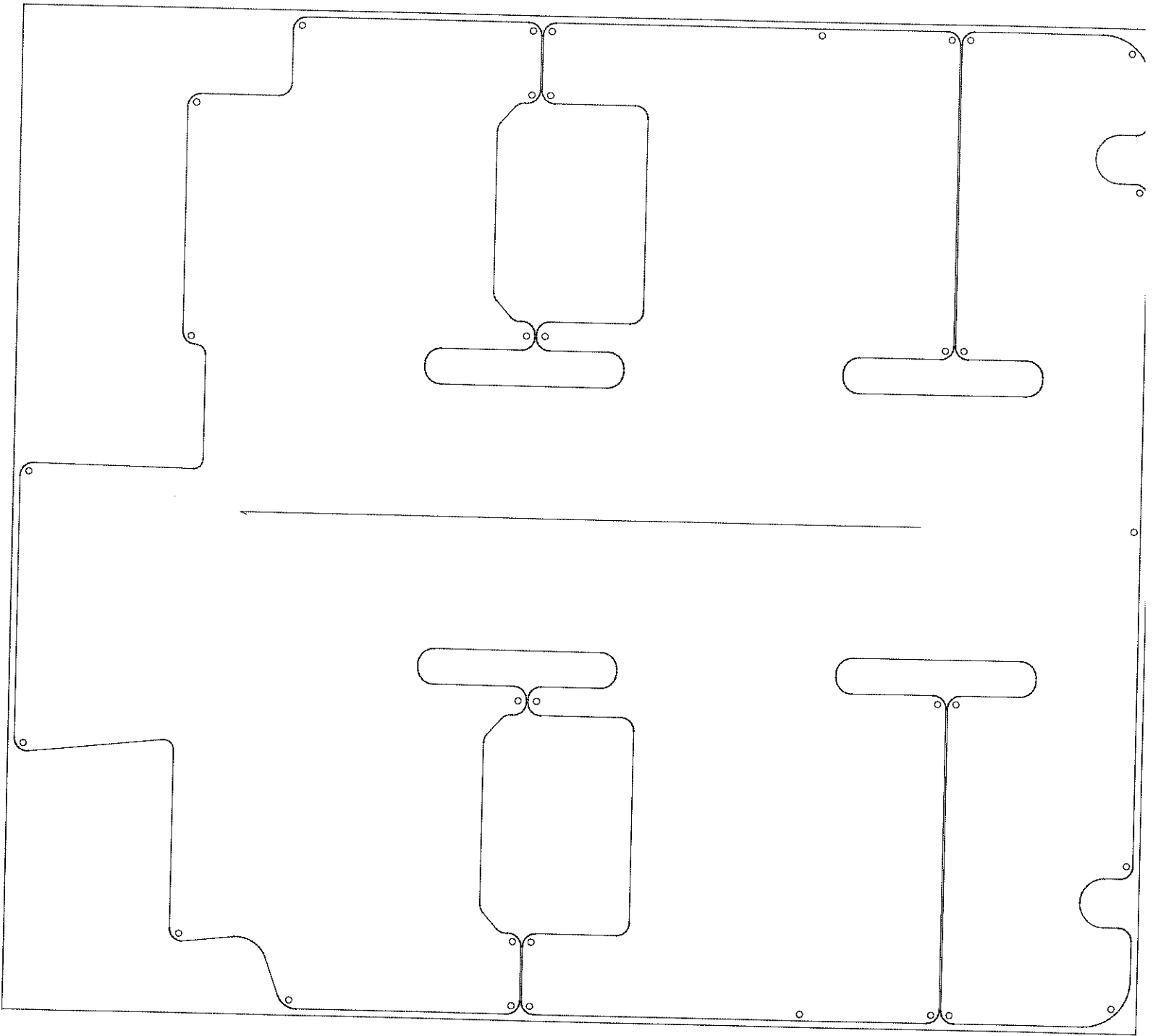


6768681

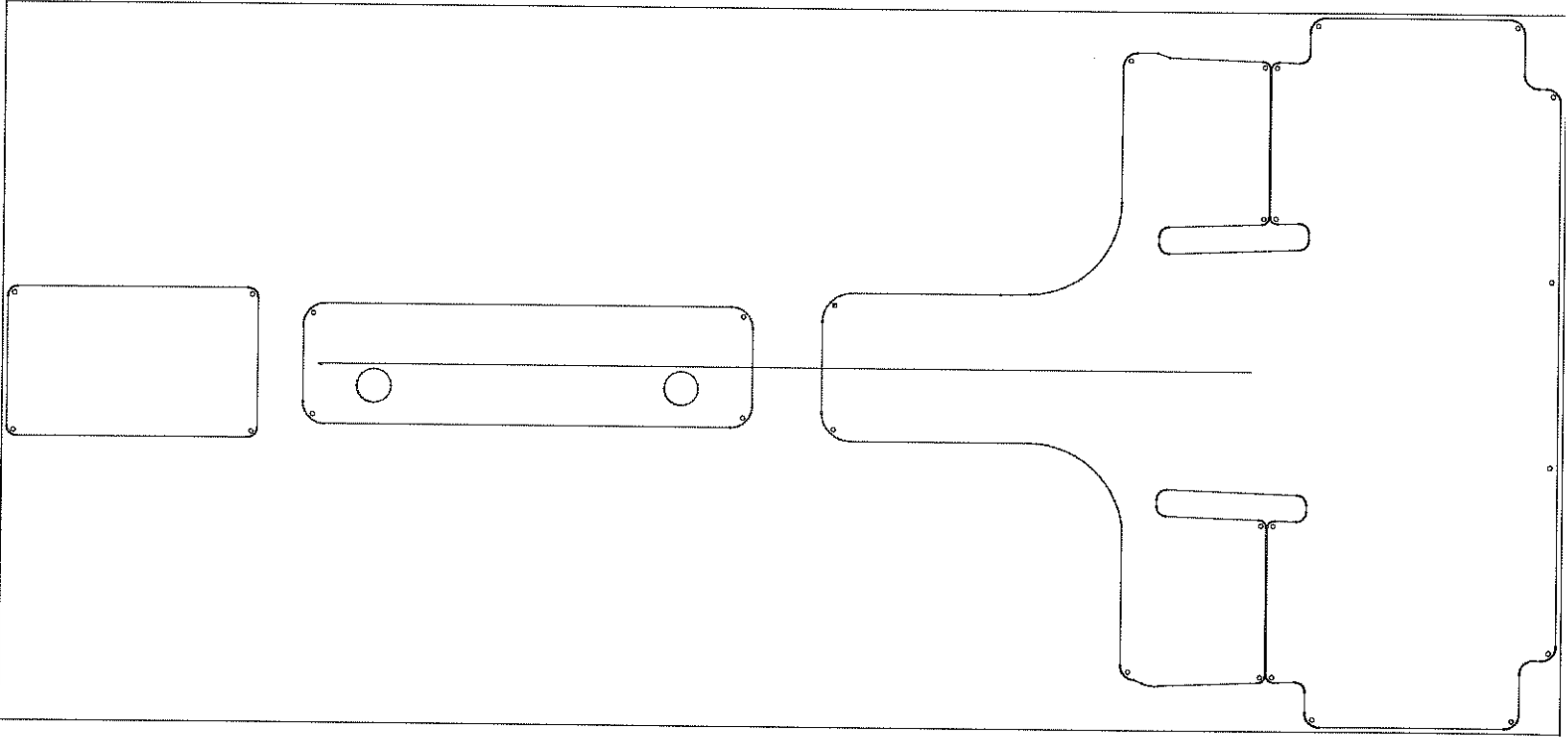




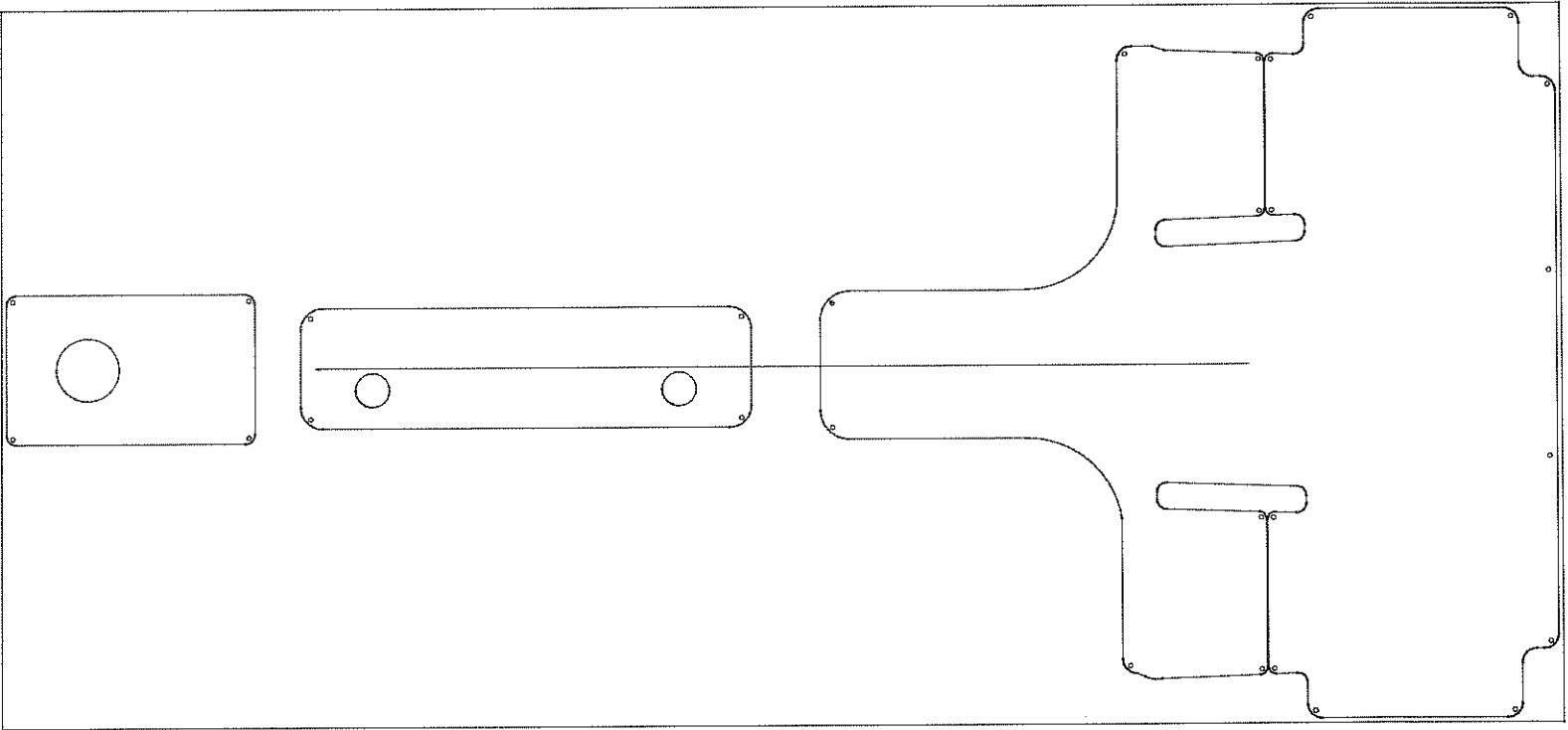
1898953



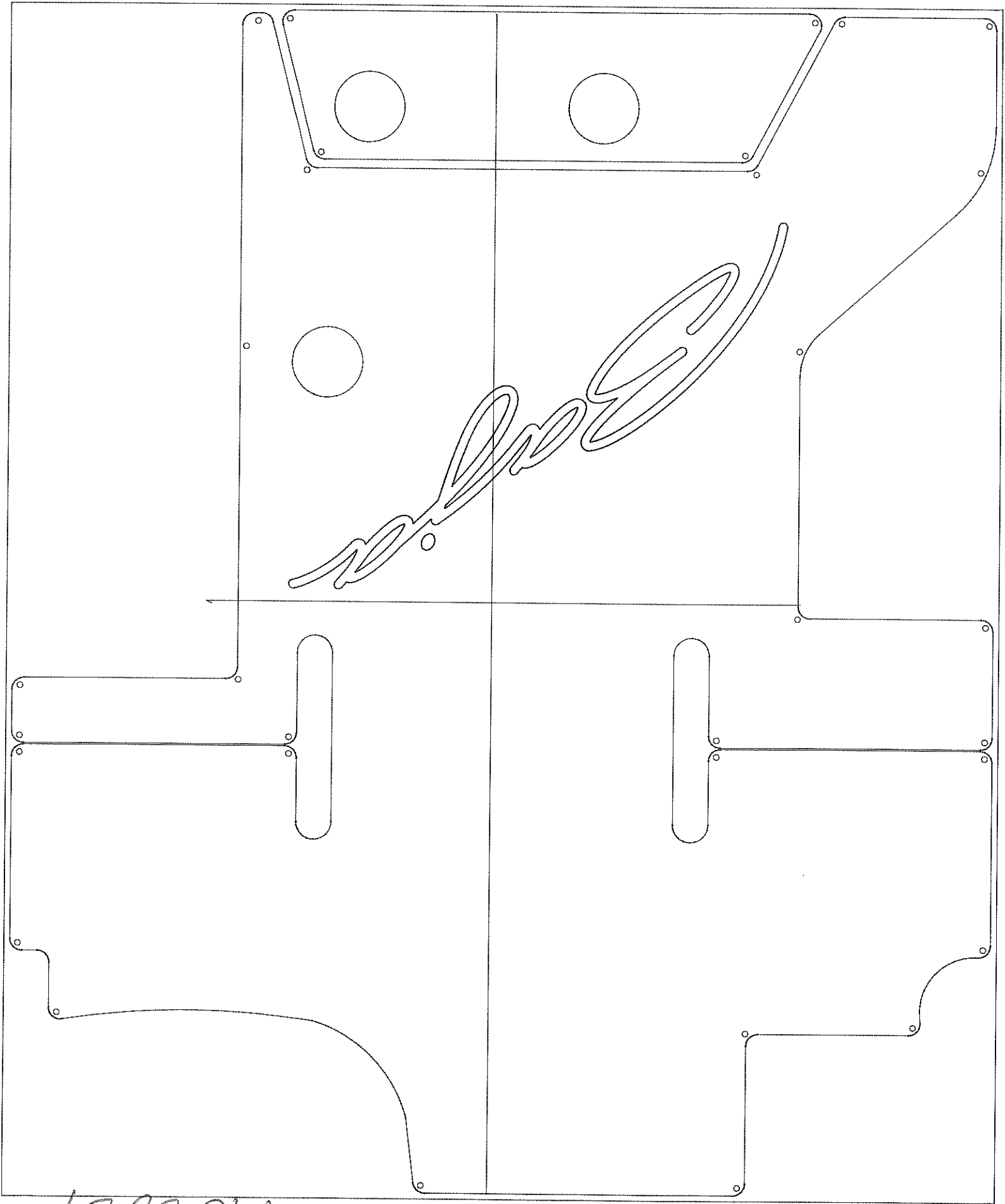
189895



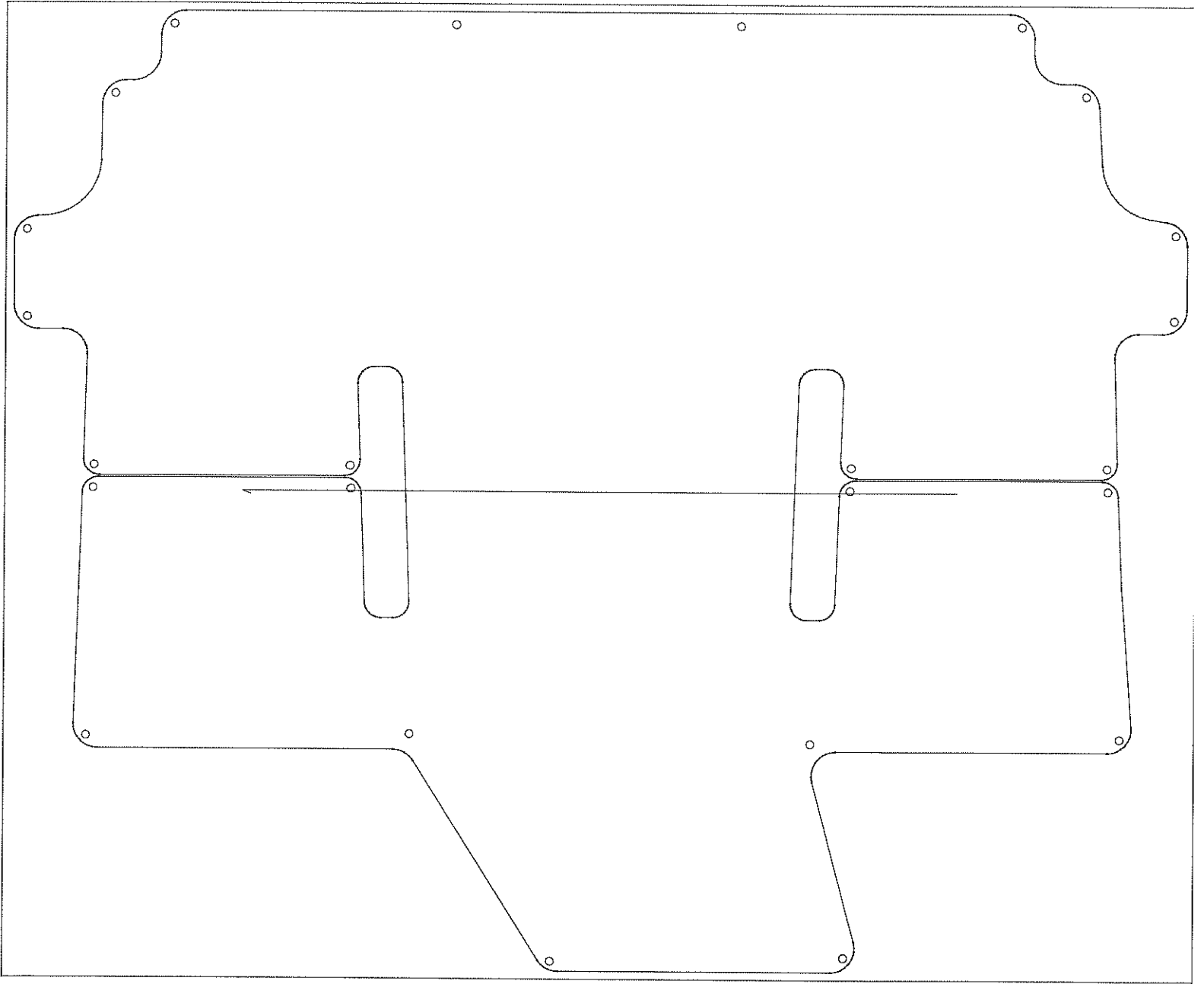
h78eab1



6782061



1903254



1909433